

ORTEC®

HPLBS Series

High-Performance, Low-Background Shields
and Accessories for HPGe Detectors



HPLBS Series

ORTEC's high-performance, low-background Ge detector shields feature the highest quality workmanship and the best materials available. They include features which have evolved over years of experience in lead-shield design. Options that make the shield easier to use also ensure continued smooth operation.

All ORTEC high-performance, low-background lead shields feature an 11-inch diameter X 16-inch deep cavity, suitable for accommodating up to 4-liter Marinelli beakers. A graded liner of copper and tin layers is provided for the suppression of lead x-rays. The bulk shielding material is certified Doe Run virgin lead (4-inches thick). The support stand and shield jacket are made from low-carbon steel. All external surfaces are finished in durable textured polyurethane. All shields are adjusted at the factory and movable doors and lids are positioned with packing material to prevent opening during shipment. All shields require professional installation by qualified Riggers that are competent with heavy weight installations. Once installed, the lids (and doors when applicable) should require only minimal adjustments to remove any packing materials and assure proper operation. Initial adjustment instructions, warnings, and wrenches are provided with each shield. Touch-up paint can be supplied under separate order with the Material Safety Data Sheet (MSDS) and may require special shipping.

The following are supplied with each ORTEC shield:

1. Rigid support stand
2. Hinge adjustment instructions
3. Wrenches for assembly
4. Lifting eyes and lid restraint brackets
5. Two heavy-duty, wood pallet/crate sets suitable for overseas shipping

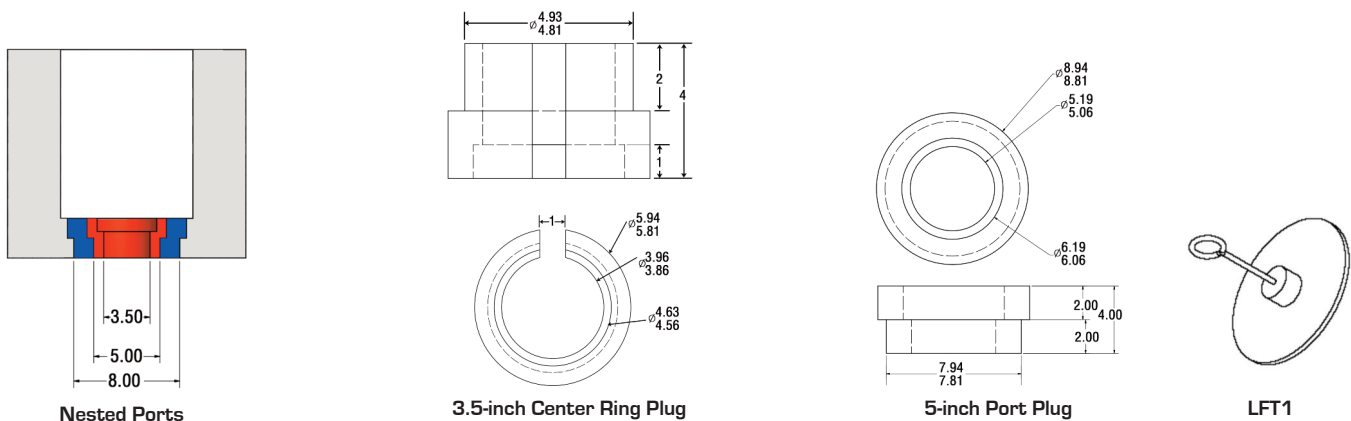
HPLBS1 Top Loading Shield

The bottom port on the shield includes two nested inserts that allow multiple fit options. The bottom through-hole is 3.5-inches. This can be increased to a 5-inch through-hole by removing the center insert. A second insert makes up almost the entire bottom of the lead shield, providing a 8-inch through-hole when removed. The model LFT1 can be used to remove the larger bottom insert from the shield should this be required. The LFT1 is not part of the HPLBS1 and would need to be ordered separately.

It is not expected to remove this larger insert; however, it is provided for possible changes that may be required for the customer's specifications. This 42-lb. insert can be removed and machined locally or shipped back to ORTEC for replacement and/or modification if needed without having the entire shield machined on-site or replaced.

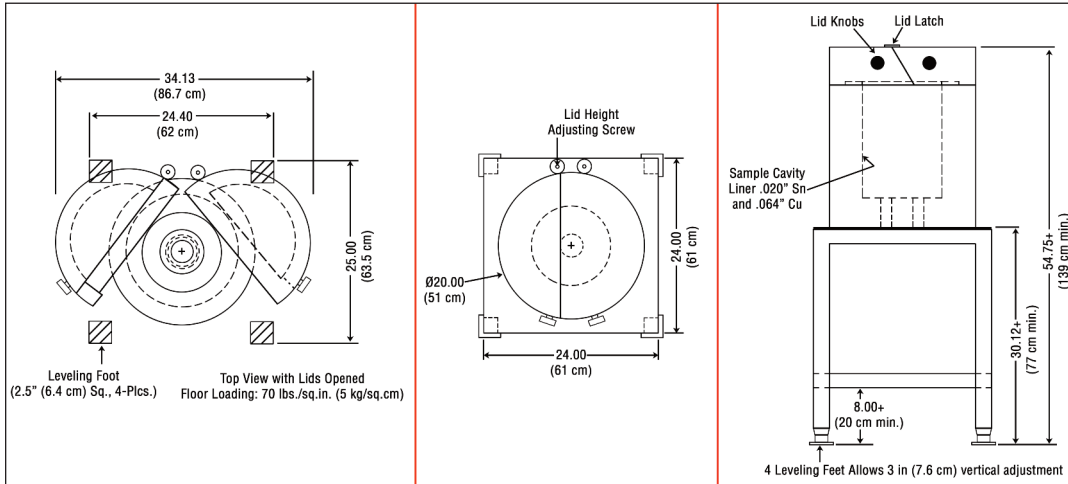
The cutaway sketch shows the two nested ports that are supplied with the model HPLBS1.

The HPLBS1 shield is designed to accommodate ORTEC vertical dipstick cryostat models CFG-PV4, MOBIUS-CFG-PV4, CFG-SV and CFG-LP-SV or the X-COOLER-III.



Note: All Plugs have 0.02" nominal Sn, 0.06" nominal Cu.

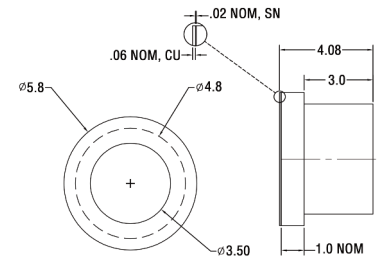
HPLBS Series



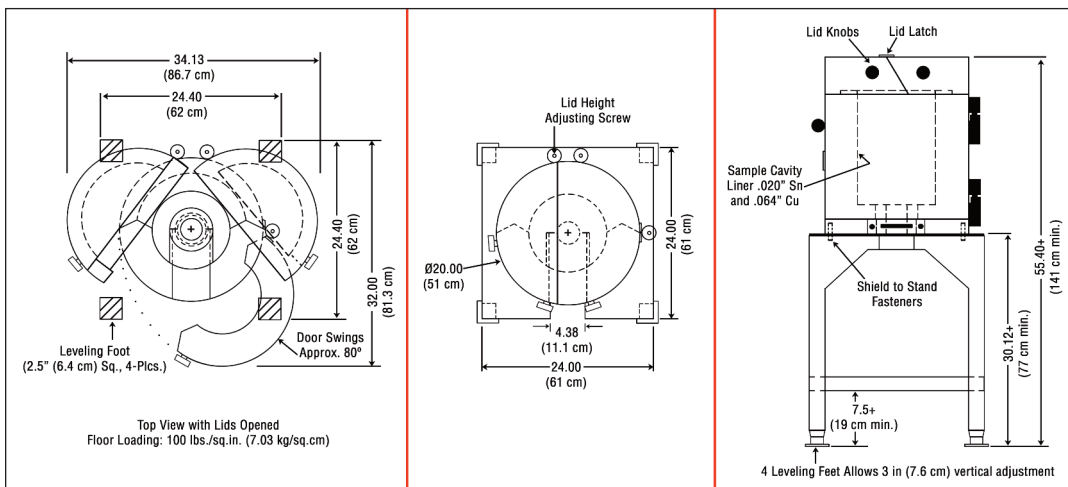
HPLBS1F Front-Loading Shield

The HPLBS1F Shield is similar to the HPLBS1 Shield in function, materials and appearance, with the additional benefit of a hinged front door to allow easy access to the sample chamber.

The cutaway sketch shows the port that is supplied with the model HPLBS1F. Alternate sized bottom ports or plugs will require a special order.



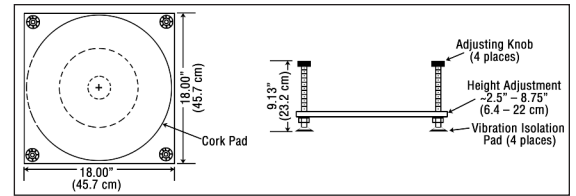
HPLBS1F Standard Port Plug



HPLBS Series

DS30 Dewar Leveling Stand

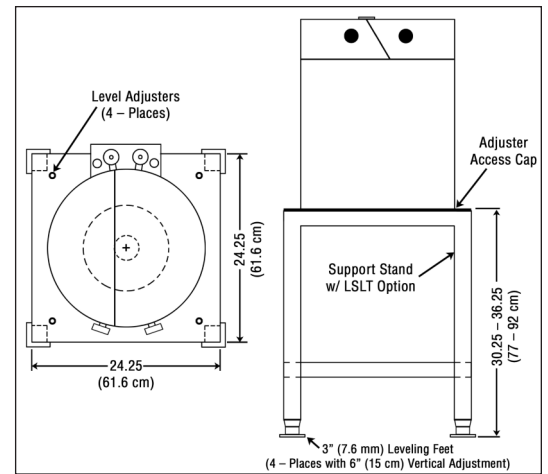
Provides up to 15 cm (6 in.) of vertical height adjustment; features vibration isolation pads to minimize detector microphonics.



DS30 Dewar Leveling Stand

LSLT Table-Top Leveling Option

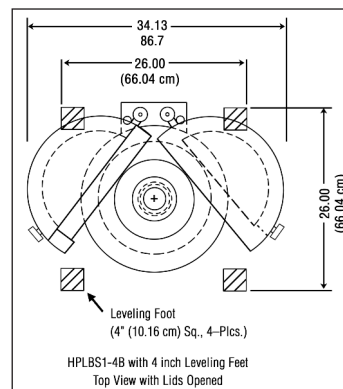
LSLT allows extremely precise adjustment of the leveling of the HPLBS1 Shield. Leveling is performed at table top height using a single hex-key wrench. It can compensate for floor deviations as great as 16 mm in a 61-cm square [5/8-in. in a 24-in. square]. When correctly adjusted, the Model LSLT allows the biparting lids of the shield (when unlatched) to swing slowly and gently to the fully open position, and stay there allowing full, SAFE access to the counting chamber.



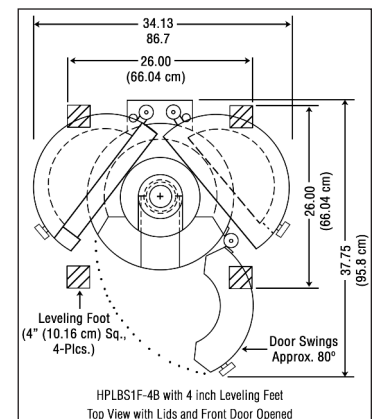
LSLT Table-Top Leveling Option

4-inch Leveling Feet

HPLBS1 and HPLBS1F shields may be ordered with 4-in. x 4-in. leveling feet to allow bolting the feet to the floor for earthquake qualifications. This option increases the total footprint on the supporting floor to 26-in. x 26-in.



HPLBS1 with 4-Inch Leveling Feet



HPLBS1F with 4-Inch Leveling Feet

HPLBS Series

HPLBS2F

The HPLBS2F Shield is similar to the HPLBS1F, in that it combines front loading with the split-top shield. It differs, however, in that it is designed for use with an ORTEC "J" Type cryostat Model CFG-SJ or CFG-HJ. A compact design results in the need for only 2-ft x 4-ft floor space [61-cm x 117-cm], plus clearance for opening of lids and the front door.

Specifications of HPLBS2F

Shielded Cavity Dimensions 28-cm i.d. x 40-cm high [11-in. i.d. x 16-in. high].

Shielding Type Solid-cast virgin lead with steel casing and graded-Z liner.

Shielding Specifications

12.7 mm [0.5 in.] low-carbon steel casing

101 mm [4 in.] certified Doe Run lead

0.5 mm [0.02 in.] tin sheet liner

1.6 mm [0.064 in.] soft-copper sheet liner

Support Stand Material Low-carbon steel square tubing and plate.

Detector Access Slot Width 4.5 cm [1-3/4 in.].

Weight

Total Assembled 1,134 kg [2,500 lb].

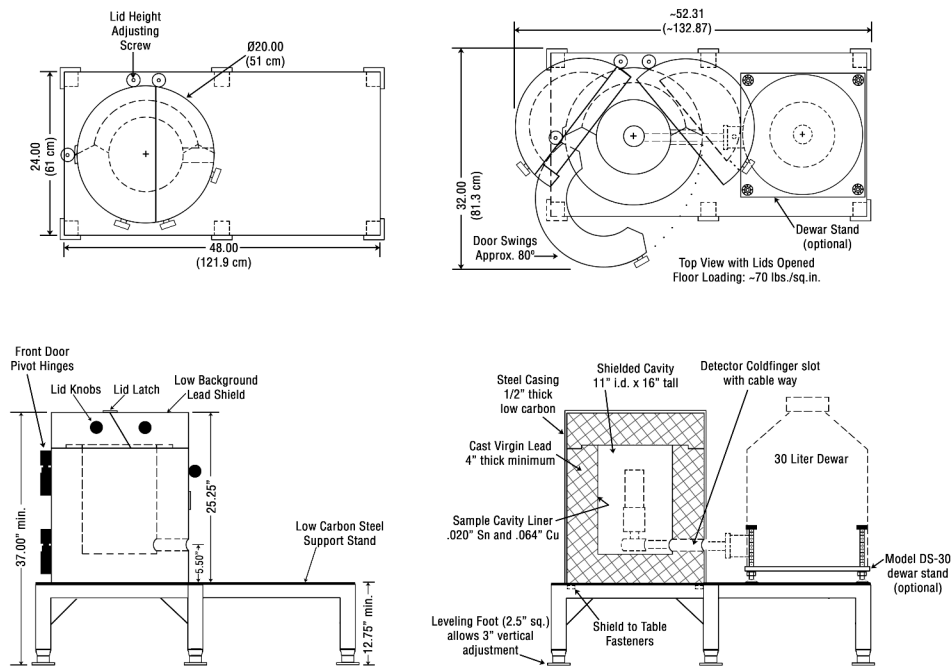
Shipping Weight 1,270 kg [2,800 lb].

External Dimensions

Shield 51-cm diameter x 63-cm high [20-in. diameter x 24-5/8-in. high].

Stand 61 cm x 117 cm x 77-cm high [minimum] [24 in. x 46 in. x 12-in. high [minimum]].

Assembled Height 94 cm [minimum] to 109 cm [maximum] [37 in. [minimum] to 43 in. [maximum]].



HPLBS Series

Ordering Information

Model	Description
HPLBS1	Lead Shield for CFG-PV4, CFG-SV, or CFG-LP-SV cryostat.
HPLBS1F	Lead Shield for CFG-PV4, CFG-SV, or CFG-LP-SV cryostat. Front loading.
HPLBS1-4B	HPLBS1 with 4-in. x 4-in. leveling feet.
HPLBS1F-4B	HPLBS1F with 4-in. x 4-in. leveling feet.
HPLBS2F	Lead Shield for CFG-SJ or CFG-HJ cryostat. Front Loading.
LFT1	Lifting tool for removing the 9" bottom plate from the HPLBS1 Lead Shield.
PLG1	Single piece, close fit plug for vertical dipstick cryostat in HPLBS1 Lead Shield.
PLG2	Two piece, close fit plug for X-COOLER cold head in HPLBS1 Lead Shield.
PLG1F	Two piece, close fit plug for X-COOLER cold head in HPLBS1F Lead Shield.
DS30	Dewar Leveling Stand.
LSLT	Table-Top Leveling option. HPLBS1 only.

HPLBS Series

Specifications subject to change
011614

ORTEC[®]

www.ortec-online.com

Tel. (865) 482-4411 • Fax (865) 483-0396 • ortec.info@ametek.com
801 South Illinois Ave., Oak Ridge, TN 37831-0895 U.S.A.
For International Office Locations, Visit Our Website

AMETEK[®]
ADVANCED MEASUREMENT TECHNOLOGY