

- **Compact Size fits into 3.5 inch diameter hole when used with 70-mm endcap detector.**
- **Weight ~12 lbs.**
- **Can withstand 100% humidity, noncondensing.**
- **~16 hours LN₂ holding time with 70-mm endcap detector.**
- **Available with GEM, GMX, LO-AX, GLP, IGLET, SLP, PROFILE, or Safeguards detector types.**
- **100 ft. operating depth.**
- **Complete with eye hook or attachment for cable rigging.**

The ORTEC Shallow Hole Probe is designed for surveying shallow bore holes in and around mine and mill tailing dumps and landfills, formerly utilized nuclear materials facilities, and other waste management sites.

In the waste management application, high-resolution spectroscopy is desired, dictating the use of a high-purity germanium (HPGe) photon detector. A special compact dewar has been designed to supply 0.77 liters of LN₂ for detector cooling, providing approximately 16-hours of holding time during operation with a 70-mm endcap detector.

This compact system, when used with a 70-mm endcap detector, has a maximum outer diameter of 2.95 inches, which makes it ideal for shallow-depth bore-hole logging in 3.25 inch inner diameter pipes, casings, holes, etc. The single cable and dewar will fit comfortably within a 3.25 inch inner diameter space.

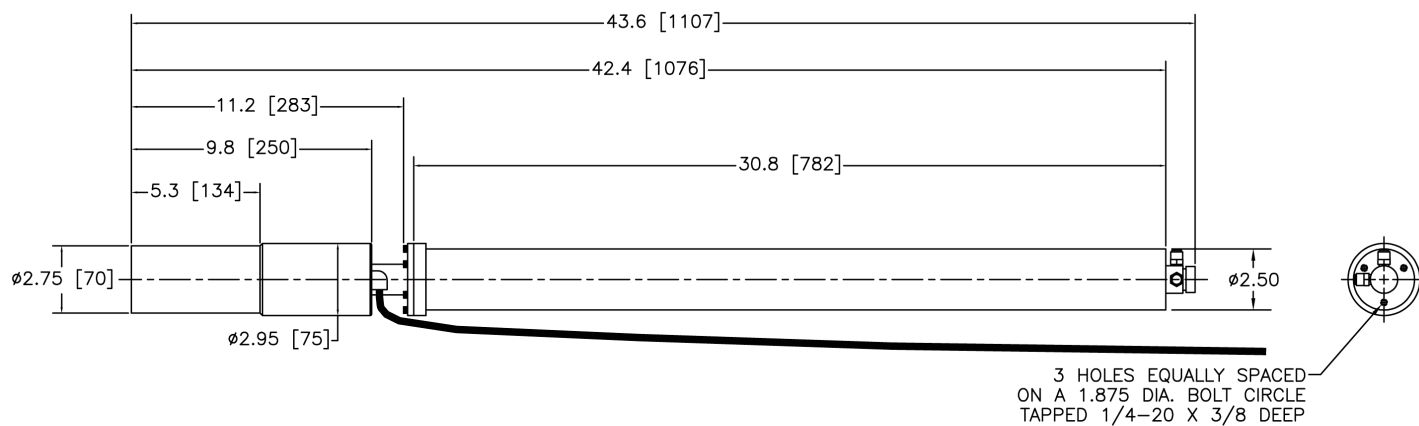
The Shallow Hole Probe is available in PopTop or Streamline cryostat/dewar combination.

Ordering Information

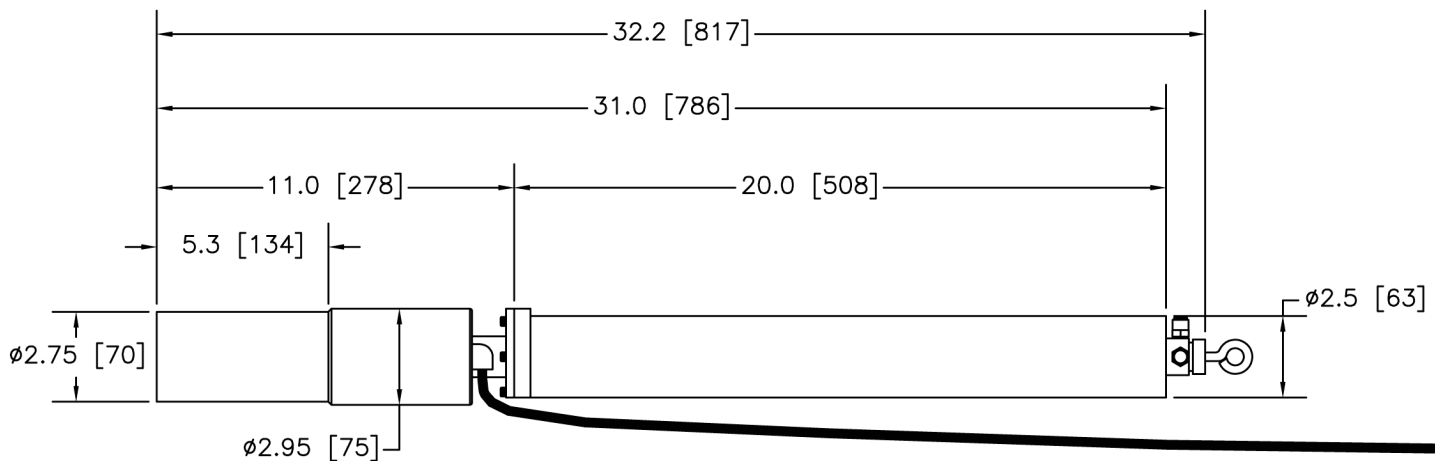
Model	Description
CFG-PSHP4	Shallow Hole Probe with 0.7-liter Dewar for use with PopTop Detector.
DWR-0.7-SHP-1	0.7-liter Shallow Hole Probe Dewar for use with Streamline Detector and Gamma Gage Cryostat.



Shallow Hole Probe



CFG-PSHP4 Shallow Hole Probe cryostat/dewar with 0.7-liter dewar and 70-mm endcap PopTop detector.



DWR-0.7-SHP-1 0.7-liter Shallow Hole Probe dewar with CFG-GG Gamma Gage cryostat and 70-mm endcap Streamline detector.

HTDS Parc d'Activités du Moulin de Massy -3 rue du Saule Trapu

BP246 - 91882 Massy Cedex France

Tél : 01 64 86 28 28 Fax : 01 69 07 69 54 info@htds.fr

Pour une plus grande proximité avec nos clients et une réactivité optimale,
HTDS dispose de filiales dans 6 pays :

HTDS Algérie : +213 219 163 73

HTDS Égypte : +202 229 053 06

HTDS Jordanie : +962 651 561 12

HTDS Libye : +218 923 044 874

HTDS Maroc : +212 222 749 59

HTDS Tunisie : +216 770 836 961