

- Compact size (~37-in. long and 12-in. diameter)
- Weight ~100 lbs
- Totally waterproof, submersible
- LN₂ refillable without opening the shroud cover
- Split-ring lead shield for shielding and negative buoyancy
- HPGe coaxial detector
- Preamp, H.V. filter, LN₂ level probe, and H.V. cutoff protection included
- 30-foot operating depth
- Stainless steel shroud for easy cleaning and decontamination
- Thin (30 mil) side window in shroud to enable low energy photon (≥ 50 keV) spectroscopy

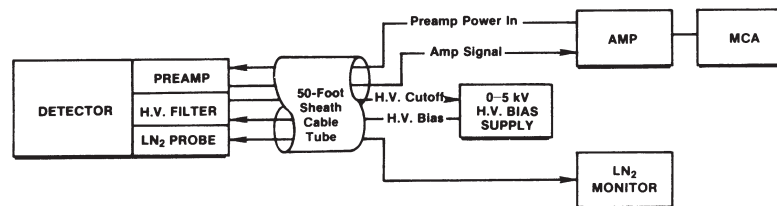
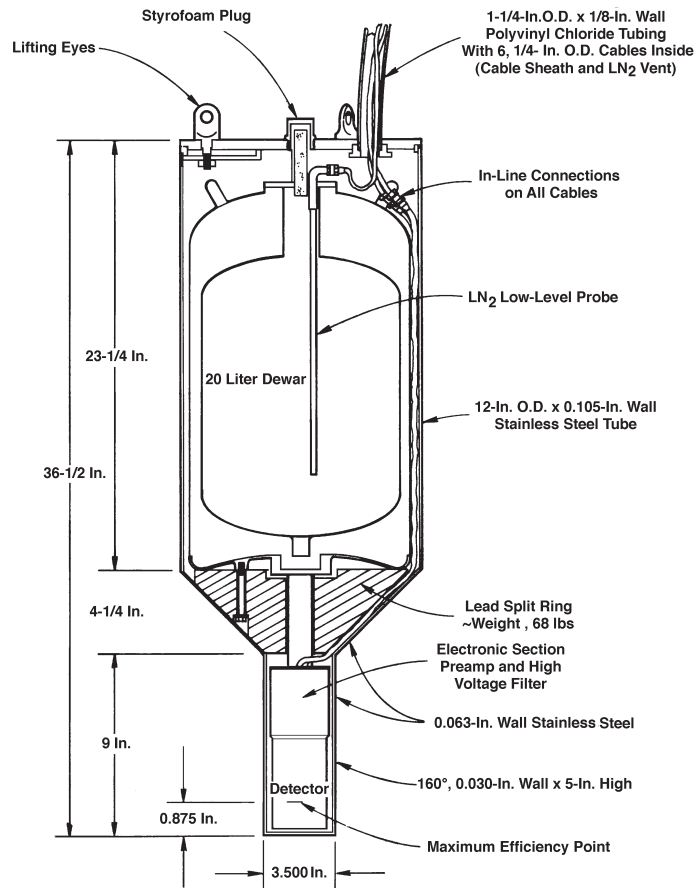
The ORTEC Submersible Photon Detector (SPD-1) is designed for nuclear fuel element scanning in storage pools. The SPD-1 is useful in other similar applications that require a totally waterproof, submersible photon detector for shallow depth pools. In the fuel element scanning application, high-resolution spectroscopy is desired, dictating the use of a High-Purity Germanium (HPGe) Photon Detector. As with all germanium detectors, liquid nitrogen (LN₂) cooling is required for operation. A special compact LN₂ dewar (thermos vessel) supplies 20 liters of LN₂ during operation. The dewar can be refilled at the surface of the pool without removing the waterproof shroud cover. Operating time of the SPD-1, before LN₂ refilling is required, is approximately 12 to 14 days. An LN₂ low level alarm and high-voltage (H.V.) cutoff circuitry monitor and protect the system.

The compact (approximately 37-in long x 12-in. diameter) stainless steel shroud contains the HPGe detector element, cryogenic package, 20-liter LN₂ dewar, LN₂ level probe, preamplifier, H.V. filter, and lead shield. The split-ring lead shield is provided behind the detector element to shield from contaminated water in the pool and also to provide negative buoyancy to the system. The stainless steel package has three lifting eyes and can be easily cleaned or decontaminated. The particular system shown was designed for pool depths up to 30 feet. Polyvinyl chloride tubing is used to carry the electrical cables to and from the detector package and to vent the LN₂ to the pool surface. A thin (30 mil) side window is provided in the stainless steel shroud to enable low energy photons (down to 50 keV) to enter the detector package.



The particular system shown was designed for pool depths up to 30 feet. Polyvinyl chloride tubing is used to carry the electrical cables to and from the detector package and to vent the LN₂ to the pool surface. A thin (30 mil) side window is provided in the stainless steel shroud to enable low energy photons (down to 50 keV) to enter the detector package.

SPD-1 Submergible Photon Detector



Detailed Illustration of the ORTEC Submergible Photon Detector (SPD-1)

HTDS Parc d'Activités du Moulin de Massy –3 rue du Saule Trapu
BP246 - 91882 Massy Cedex France
Tél : 01 64 86 28 28 Fax : 01 69 07 69 54 info@htds.fr

Pour une plus grande proximité avec nos clients et une réactivité optimale,
HTDS dispose de filiales dans 6 pays :

HTDS Algérie : +213 219 163 73
HTDS Égypte : +202 229 053 06
HTDS Jordanie : +962 651 561 12

HTDS Libye : +218 923 044 874
HTDS Maroc : +212 222 749 59
HTDS Tunisie : +216 770 836 961