

# CATALOG

## Fiber Receptacle Laser Module





**WAVESPECTRUM GROUP** was founded in 1999. It is comprised by a group of experienced and innovative experts in the fields of laser physics, materials science, electronic technology and mechanical design. It has established solid cooperation with some famous universities, research institutes and laboratories.

Wavespectrum products are widely used in space science, optical communication technology, laser display, laser medical, life sciences and materials processing. With the rapid development, R&D centers and production bases have been established in China and Europe. The current plant area is 4,000 square meters, including 2,000 square meters of Class 1,000 clean workshops.

Wavespectrum products include laser diodes, fiber-coupled laser modules and fiber-coupled laser systems with wavelengths from 405nm to 1920nm. Our products are used in medical, printing, laser display, life science, laser communication and other fields. At present, the products have all passed the certifications of ROHS, REACH, CE, etc. At the same time, we have got ISO90001 quality management system certification.

Wavespectrum has world-class R&D team, and it has the world first-class production processing plants. Our products can meet the military-grade production and design standards. The products are well acclaimed world-wide, such in Germany, Austria, the United States, Japan, South Korea and other parts of the world. We have established close cooperation with a number of well-known enterprises world-wide.

**Wavespectrum offers laser products with wavelength ranges from 405nm to 1920nm.**

405nm	445nm	465nm	488nm	505nm	515nm	520nm	525nm	635nm	650nm	660nm	670nm	680nm
685nm	760nm	785nm	790nm	808nm	830nm	850nm	860nm	880nm	905nm	915nm	940nm	980nm
1064nm	1210nm	1270nm	1280nm	1290nm	1310nm	1330nm	1350nm	1370nm	1390nm	1410nm	1430nm	1450nm
1470nm	1490nm	1510nm	1530nm	1550nm	1570nm	1590nm	1610nm	1625nm	1650nm	1720nm	1900nm	1920nm

**CONTACT US**

**Wavespectrum Laser Group Limited**

Address : 2-2-1504, 2# Haitai Innovation 6th Road, Xiqing Dist, 300392, TianJin, China

Web : [www.wavespectrum-laser.com.cn](http://www.wavespectrum-laser.com.cn) Email : [sales@wavespectrum-laser.com.cn](mailto:sales@wavespectrum-laser.com.cn)

Tel : 86-022-87931118 Fax : 86-022-86392109

**Distributors Wanted World-Wide!**

# PRODUCT CONTENTS

Single Mode Fiber  
Coupled Laser Diode



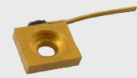
Multi-mode Fiber Coupled  
Laser Module



Single Mode Laser Diode



Multi-mode Laser Diode



Collimated Laser Diode



Turnkey Fiber Coupled  
Diode Laser System



OEM Fiber Coupled Diode  
Laser System



Fiber Receptacle Laser  
Module



405nm High Power Fiber  
Coupled Laser Source



405nm Fiber Receptacle  
Laser Module



Red & Green Aiming Beam  
for Fiber Laser



Triplex (RGB) Fiber Coupled  
White Laser Module



Triplex (RGB) Fiber Coupled  
White Laser System



3-wavelength (Multi-  
wavelength) Fiber Coupled  
Laser System



3-channel (Multi-channel)  
Fiber Coupled Laser System



Multi-wavelength Fiber  
Coupled Laser Module



High Power Fiber  
Bundled Laser Module



Photodiode



## Fiber Receptacle Laser Module

### PRODUCT FEATURE

405nm~1650nm Optional  
 5mW~200mW Output Power  
 Suit for 9um/50um/ 105um/200um Fiber Core  
 SC/FC/SMA905 Receptacle Connector Optional  
 Coaxial Package  
 Long Lifetime  
 High Stability  
 Customized Wavelength/Power/Fiber Core



### PRODUCT OVERVIEW

Fiber Receptacle Laser Module is the competitive product of WAVESPECTRUM.

We offer 405nm~1650nm Fiber Receptacle Laser Module, Which is suit for 9um,50um,105um,200um,400um fiber core, the output power ranges from 5mW to 200mW. Meanwhile, the Receptacle Connector can be SC, FC or SMA905. WAVESPECTRUM also offer the Customized Solution for Fiber Receptacle Laser Modules, such as Customized Wavelength, Customized Power and Customized Fiber Core to meet the special needs of customers.

WAVESPECTRUM use laser welding technology to guarantee the long-term reliability of the laser structure. To ensure the long-term reliability, each laser diode will undergo rigorous testing and aging in the factory. Meanwhile the high-low storage temperature circulation is also necessary for each laser diode. We set the storage temperature range from -40°C to +85°C, and it lasts 10 cycles, which will ensure the long-term reliability of the coupling structure.



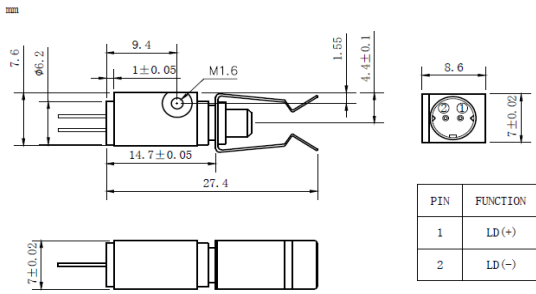
Wavelength	Part Number	Output Power	Receptacle Connector	Fiber Core	Laser Type	PD	Package
405nm	WSLR-405-200m-M	200mW	FC/SC	50um/105um	FP	×	Coaxial
	WSLR-405-300m-M	300mW	FC/SC	50um/105um	FP	×	Coaxial
	WSLR-405-350m-M	350mW	FC/SC	50um/105um	FP	×	Coaxial
445nm	WSLR-445-050m-M	50mW	FC	50um/105um	FP	×	Coaxial
	WSLR-445-001-M	1W	FC/SC	105um	FP	×	Coaxial
488nm	WSLR-488-030m-M	30mW	FC	50um/105um	FP	×	Coaxial
505nm	WSLR-505-050m-M	50mW	FC	50um/105um	FP	×	Coaxial
520nm	WSLR-520-050m-M	50mW	FC	50um/105um	FP	×	Coaxial
	WSLR-520-050m-M-PD	50mW	FC	50um/105um	FP	√	Coaxial
635nm	WSLR-635-005m-M-PD	5mW	FC	50um/105um	FP	√	Coaxial
	WSLR-635-030m-M-PD	30mW	FC	50um/105um	FP	√	Coaxial
	WSLR-635-100m-M	100mW	FC	50um/105um	FP	×	Coaxial
	WSLR-635-250m-M	250mW	FC	105um	FP	×	Coaxial
650nm	WSLR-650-030m-M-PD	30mW	FC	50um/105um	FP	√	Coaxial
	WSLR-650-100m-M	100mW	FC	50um/105um	FP	×	Coaxial
	WSLR-650-120m-M	120mW	FC	50um/105um	FP	×	Coaxial
670nm	WSLR-670-005m-M-PD	5mW	FC	50um/105um	FP	√	Coaxial
685nm	WSLR-685-030m-M-PD	30mW	FC	50um/105um	FP	√	Coaxial
785nm	WSLR-785-050m-M-PD	50mW	FC	50um/105um	FP	√	Coaxial
808nm	WSLR-808-150m-M-PD	150mW	FC	105um	FP	√	Coaxial
	WSLR-808-200m-M-PD	200mW	FC	105um	FP	√	Coaxial
830nm	WSLR-830-100m-M-PD	100mW	FC	50um/105um	FP	√	Coaxial
	WSLR-830-150m-M-PD	150mW	FC	50um/105um	FP	√	Coaxial
850nm	WSLR-850-100m-M-PD	100mW	FC	50um/105um	FP	√	Coaxial
880nm	WSLR-880-005m-M-PD	5mW	FC	50um/105um	FP	√	Coaxial
905nm	WSLR-905-050m-M-PD	50mW	FC	50um/105um	FP	√	Coaxial
940nm	WSLR-940-100m-M-PD	100mW	FC	105um	FP	√	Coaxial
980nm	WSLR-980-100m-M-PD	100mW	FC	105um	FP	√	Coaxial
1064nm	WSLR-1064-030m-M-PD	30mW	FC	50um/105um	FP	√	Coaxial
1270nm	WSLR-1270-002m-9-DFB-PD	2mW	FC/SC	9um	DFB	√	Coaxial
	WSLR-1270-005m-9-DFB-PD	5mW	FC/SC	9um	DFB	√	Coaxial
1290nm	WSLR-1290-002m-9-DFB-PD	2mW	FC/SC	9um	DFB	√	Coaxial
	WSLR-1290-005m-9-DFB-PD	5mW	FC/SC	9um	DFB	√	Coaxial
1310nm	WSLR-1310-001m-9-FP-PD	1mW	FC/SC	9um	FP	√	Coaxial
	WSLR-1310-002m-9-DFB-PD	2mW	FC/SC	9um	DFB	√	Coaxial
	WSLR-1310-005m-9-DFB-PD	5mW	FC/SC	9um	DFB	√	Coaxial
1330nm	WSLR-1330-002m-9-DFB-PD	2mW	FC/SC	9um	DFB	√	Coaxial
	WSLR-1330-005m-9-DFB-PD	5mW	FC/SC	9um	DFB	√	Coaxial
1350nm	WSLR-1350-002m-9-DFB-PD	2mW	FC/SC	9um	DFB	√	Coaxial
	WSLR-1350-005m-9-DFB-PD	5mW	FC/SC	9um	DFB	√	Coaxial

Note: √:Yes, ○:Optional, ×:No.

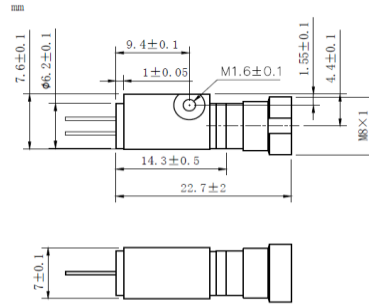
Wavelength	Part Number	Output Power	Receptacle Connector	Fiber Core	Laser Type	PD	Package
1370nm	WSLR-1370-002m-9-DFB-PD	2mW	FC/SC	9um	DFB	√	Coaxial
	WSLR-1370-005m-9-DFB-PD	5mW	FC/SC	9um	DFB	√	Coaxial
1390nm	WSLR-1390-002m-9-DFB-PD	2mW	FC/SC	9um	DFB	√	Coaxial
	WSLR-1390-005m-9-DFB-PD	5mW	FC/SC	9um	DFB	√	Coaxial
1410nm	WSLR-1410-002m-9-DFB-PD	2mW	FC/SC	9um	DFB	√	Coaxial
	WSLR-1410-005m-9-DFB-PD	5mW	FC/SC	9um	DFB	√	Coaxial
1430nm	WSLR-1430-002m-9-DFB-PD	2mW	FC/SC	9um	DFB	√	Coaxial
	WSLR-1430-005m-9-DFB-PD	5mW	FC/SC	9um	DFB	√	Coaxial
1450nm	WSLR-1450-002m-9-DFB-PD	2mW	FC/SC	9um	DFB	√	Coaxial
	WSLR-1450-005m-9-DFB-PD	5mW	FC/SC	9um	DFB	√	Coaxial
1470nm	WSLR-1470-002m-9-DFB-PD	2mW	FC/SC	9um	DFB	√	Coaxial
	WSLR-1470-005m-9-DFB-PD	5mW	FC/SC	9um	DFB	√	Coaxial
1490nm	WSLR-1490-002m-9-DFB-PD	2mW	FC/SC	9um	DFB	√	Coaxial
	WSLR-1490-005m-9-DFB-PD	5mW	FC/SC	9um	DFB	√	Coaxial
1510nm	WSLR-1510-002m-9-DFB-PD	2mW	FC/SC	9um	DFB	√	Coaxial
	WSLR-1510-005m-9-DFB-PD	5mW	FC/SC	9um	DFB	√	Coaxial
1530nm	WSLR-1530-002m-9-DFB-PD	2mW	FC/SC	9um	DFB	√	Coaxial
	WSLR-1530-005m-9-DFB-PD	5mW	FC/SC	9um	DFB	√	Coaxial
1550nm	WSLR-1550-001m-9-FP-PD	1mW	FC/SC	9um	FP	√	Coaxial
	WSLR-1550-002m-9-DFB-PD	2mW	FC/SC	9um	DFB	√	Coaxial
	WSLR-1550-005m-9-DFB-PD	5mW	FC/SC	9um	DFB	√	Coaxial
1570nm	WSLR-1570-002m-9-DFB-PD	2mW	FC/SC	9um	DFB	√	Coaxial
	WSLR-1570-005m-9-DFB-PD	5mW	FC/SC	9um	DFB	√	Coaxial
1590nm	WSLR-1590-002m-9-DFB-PD	2mW	FC/SC	9um	DFB	√	Coaxial
	WSLR-1590-005m-9-DFB-PD	5mW	FC/SC	9um	DFB	√	Coaxial
1610nm	WSLR-1610-002m-9-DFB-PD	2mW	FC/SC	9um	DFB	√	Coaxial
	WSLR-1610-005m-9-DFB-PD	5mW	FC/SC	9um	DFB	√	Coaxial
1625nm	WSLR-1625-002m-9-DFB-PD	2mW	FC/SC	9um	DFB	√	Coaxial
	WSLR-1625-005m-9-DFB-PD	5mW	FC/SC	9um	DFB	√	Coaxial
1650nm	WSLR-1650-002m-9-DFB-PD	2mW	FC/SC	9um	DFB	√	Coaxial
	WSLR-1650-005m-9-DFB-PD	5mW	FC/SC	9um	DFB	√	Coaxial

Note: √:Yes, ○:Optional, ×:No.

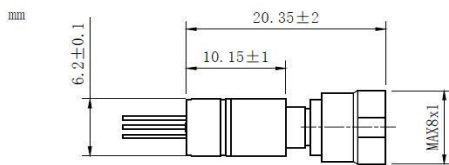
**405nm SC Package View :**



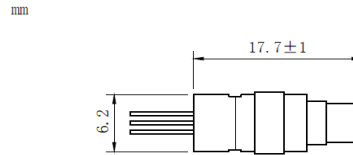
**405nm FC Package View :**



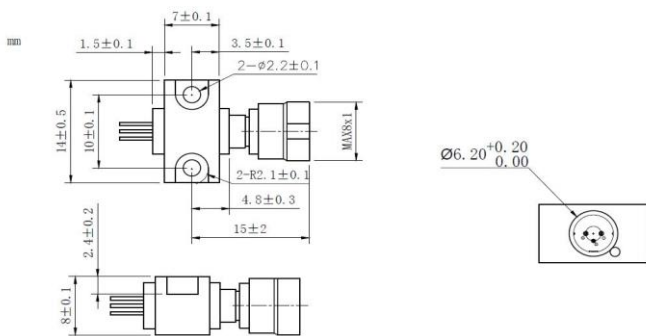
**Coaxial FC Package View :**



**Coaxial TOSA Package View :**



**B8 FC Package View :**



**B8 TOSA Package View :**

