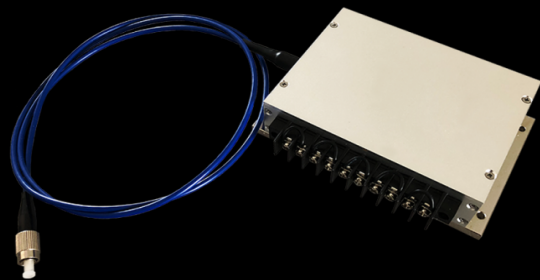




# CATALOG

## High Power Fiber Bundled Laser Module





**WAVESPECTRUM GROUP** was founded in 1999. It is comprised by a group of experienced and innovative experts in the fields of laser physics, materials science, electronic technology and mechanical design. It has established solid cooperation with some famous universities, research institutes and laboratories.

Wavespectrum products are widely used in space science, optical communication technology, laser display, laser medical, life sciences and materials processing. With the rapid development, R&D centers and production bases have been established in China and Europe. The current plant area is 4,000 square meters, including 2,000 square meters of Class 1,000 clean workshops.

Wavespectrum products include laser diodes, fiber-coupled laser modules and fiber-coupled laser systems with wavelengths from 405nm to 1920nm. Our products are used in medical, printing, laser display, life science, laser communication and other fields. At present, the products have all passed the certifications of ROHS, REACH, CE, etc. At the same time, we have got ISO90001 quality management system certification.

Wavespectrum has world-class R&D team, and it has the world first-class production processing plants. Our products can meet the military-grade production and design standards. The products are well acclaimed world-wide, such in Germany, Austria, the United States, Japan, South Korea and other parts of the world. We have established close cooperation with a number of well-known enterprises world-wide.

**Wavespectrum offers laser products with wavelength ranges from 405nm to 1920nm.**

405nm	445nm	465nm	488nm	505nm	515nm	520nm	525nm	635nm	650nm	660nm	670nm	680nm
685nm	760nm	785nm	790nm	808nm	830nm	850nm	860nm	880nm	905nm	915nm	940nm	980nm
1064nm	1210nm	1270nm	1280nm	1290nm	1310nm	1330nm	1350nm	1370nm	1390nm	1410nm	1430nm	1450nm
1470nm	1490nm	1510nm	1530nm	1550nm	1570nm	1590nm	1610nm	1625nm	1650nm	1720nm	1900nm	1920nm

**CONTACT US**

**Wavespectrum Laser Group Limited**

Address : 2-2-1504, 2# Haitai Innovation 6th Road, Xiqing Dist, 300392, TianJin, China

Web : [www.wavespectrum-laser.com.cn](http://www.wavespectrum-laser.com.cn) Email : [sales@wavespectrum-laser.com.cn](mailto:sales@wavespectrum-laser.com.cn)

Tel : 86-022-87931118 Fax : 86-022-86392109

**Distributors Wanted World-Wide!**

# PRODUCT CONTENTS

Single Mode Fiber  
Coupled Laser Diode



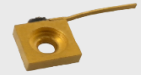
Multi-mode Fiber Coupled  
Laser Module



Single Mode Laser Diode



Multi-mode Laser Diode



Collimated Laser Diode



Turnkey Fiber Coupled  
Diode Laser System



OEM Fiber Coupled Diode  
Laser System



Fiber Receptacle Laser  
Module



405nm High Power Fiber  
Coupled Laser Source



405nm Fiber Receptacle  
Laser Module



Red & Green Aiming Beam  
for Fiber Laser



Triplex (RGB) Fiber Coupled  
White Laser Module



Triplex (RGB) Fiber Coupled  
White Laser System



3-wavelength (Multi-  
wavelength) Fiber Coupled  
Laser System



3-channel (Multi-channel)  
Fiber Coupled Laser System



Multi-wavelength Fiber  
Coupled Laser Module



High Power Fiber  
Bundled Laser Module



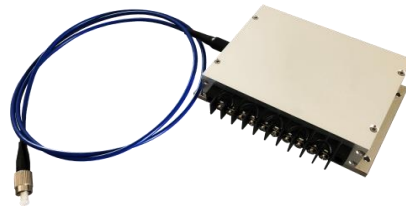
Photodiode



## High Power Fiber Bundled Laser Module

### PRODUCT FEATURE

405nm~1920nm Optional  
 Multimode Fiber Output  
 300um/400um Fiber Core  
 Upto 50W Output Power  
 Built-in TE Cooler Optional  
 Built-in Photodiode Optional  
 Aiming Beam is optional for IR Laser  
 Long Lifetime  
 High Stability  
 Customized Wavelength/Power/Fiber Core



### PRODUCT OVERVIEW

Fiber Bundled Laser Module is the competitive product of WAVESPECTRUM.

We bundle multiple Pigtailed Laser Module to get high power output. The wavelength can be chosen from 405nm to 1920nm range. The output power upto 50W. Meanwhile, the TE Cooler and Photodiode is optional. We can integrate the Red or Green Aiming Beam into the IR Laser Module.

WAVESPECTRUM use laser welding technology to guarantee the long-term reliability of the laser structure. To ensure the long-term reliability, each laser module will undergo rigorous testing and aging in the factory. Meanwhile the high-low storage temperature circulation is also necessary for each laser module. We set the storage temperature range from -40°C to +85°C, and it lasts 10 cycles, which will ensure the long-term reliability of the coupling structure.



Wavelength	Part Number	Output Power	Fiber Core	Package	Connector	Aiming Beam	TEC	PD
405nm	WSLB-405-1200m-H-T	1.2W	<400um	P2	FC/SMA905	○	√	○
	WSLB-405-002-H-T	2W	<400um	P2	FC/SMA905	○	√	○
	WSLB-405-005-H	5W	<800um	P3	FC/SMA905	○	○	○
	<b>WSLB-405-XXX-XXX</b>	<b>Customized</b>	<b>Customized</b>	<b>Customized</b>	<b>Customized</b>	○	○	○
445nm	WSLB-445-010-H-T	10W	<300um	P2	FC/SMA905	○	√	○
	WSLB-445-015-H-T	15W	<400um	P2	FC/SMA905	○	√	○
	<b>WSLB-445-XXX-XXX</b>	<b>Customized</b>	<b>Customized</b>	<b>Customized</b>	<b>Customized</b>	○	○	○
465nm	WSLB-465-006-H-T	6W	<300um	P2	FC/SMA905	○	√	○
	WSLB-465-010-H-T	10W	<400um	P2	FC/SMA905	○	√	○
	<b>WSLB-465-XXX-XXX</b>	<b>Customized</b>	<b>Customized</b>	<b>Customized</b>	<b>Customized</b>	○	○	○
520nm	WSLB-520-002-H-T	2W	<300um	P2	FC/SMA905	○	√	○
	WSLB-520-3500m-H-T	3.5W	<400um	P2	FC/SMA905	○	√	○
	<b>WSLB-520-XXX-XXX</b>	<b>Customized</b>	<b>Customized</b>	<b>Customized</b>	<b>Customized</b>	○	○	○
525nm	WSLB-525-002-H-T	2W	<300um	P2	FC/SMA905	○	√	○
	WSLB-525-3500m-H-T	3.5W	<400um	P2	FC/SMA905	○	√	○
	<b>WSLB-525-XXX-XXX</b>	<b>Customized</b>	<b>Customized</b>	<b>Customized</b>	<b>Customized</b>	○	○	○
635nm	WSLB-635-003-H-T	3W	<300um	P2	FC/SMA905	○	√	○
	WSLB-635-005-H-T	5W	<400um	P2	FC/SMA905	○	√	○
	<b>WSLB-635-XXX-XXX</b>	<b>Customized</b>	<b>Customized</b>	<b>Customized</b>	<b>Customized</b>	○	○	○
658nm	WSLB-650-002-H-T	2W	<300um	P2	FC/SMA905	○	√	○
	WSLB-650-3500m-H-T	3.5W	<400um	P2	FC/SMA905	○	√	○
	WSLB-650-005-H-T	5W	<400um	P2	FC/SMA905	○	√	○
	<b>WSLB-650-XXX-XXX</b>	<b>Customized</b>	<b>Customized</b>	<b>Customized</b>	<b>Customized</b>	○	○	○
680nm	WSLB-680-002-H-T	2W	<300um	P2	FC/SMA905	○	√	○
	WSLB-680-3500m-H-T	3.5W	<400um	P2	FC/SMA905	○	√	○
	WSLB-680-005-H-T	5W	<400um	P2	FC/SMA905	○	√	○
	<b>WSLB-680-XXX-XXX</b>	<b>Customized</b>	<b>Customized</b>	<b>Customized</b>	<b>Customized</b>	○	○	○
760nm	WSLB-760-004-H-T	4W	<300um	P2	FC/SMA905	○	√	○
	WSLB-760-010-H-T	10W	<400um	P2	FC/SMA905	○	√	○
	<b>WSLB-760-XXX-XXX</b>	<b>Customized</b>	<b>Customized</b>	<b>Customized</b>	<b>Customized</b>	○	○	○
785nm	WSLB-785-010-H-T	10W	<300um	P2	FC/SMA905	○	√	○
	WSLB-785-020-H-T	20W	<400um	P2	FC/SMA905	○	√	○
	<b>WSLB-785-XXX-XXX</b>	<b>Customized</b>	<b>Customized</b>	<b>Customized</b>	<b>Customized</b>	○	○	○
808nm	WSLB-808-012-H-T	12W	<300um	P2	FC/SMA905	○	√	○
	WSLB-808-020-H-T	20W	<300um	P2	FC/SMA905	○	√	○
	<b>WSLB-808-XXX-XXX</b>	<b>Customized</b>	<b>Customized</b>	<b>Customized</b>	<b>Customized</b>	○	○	○
830nm	WSLB-830-009-H-T	9W	<300um	P2	FC/SMA905	○	√	○
	WSLB-830-012-H-T	12W	<400um	P2	FC/SMA905	○	√	○
	WSLB-830-020-H-T	20W	<400um	P2	FC/SMA905	○	√	○
	<b>WSLB-830-XXX-XXX</b>	<b>Customized</b>	<b>Customized</b>	<b>Customized</b>	<b>Customized</b>	○	○	○

Note: √:Yes, ○:Optional, ×:No.

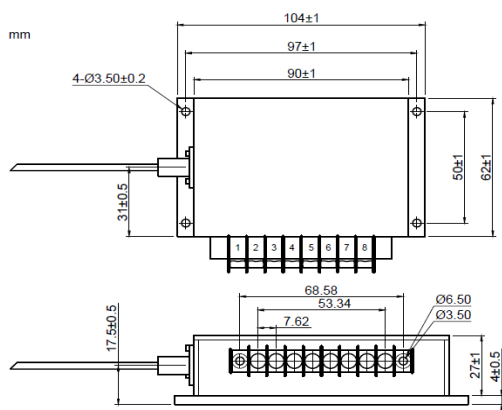
Wavelength	Part Number	Output Power	Fiber Core	Package	Connector	Aiming Beam	TEC	PD
860nm	WSLB-860-006-H-T	6W	< 300um	P2	FC/SMA905	○	√	○
	WSLB-860-010-H-T	10W	< 400um	P2	FC/SMA905	○	√	○
	<b>WSLB-860-XXX-XXX</b>	<b>Customized</b>	<b>Customized</b>	<b>Customized</b>	<b>Customized</b>	○	○	○
880nm	WSLB-880-009-H-T	9W	< 300um	P2	FC/SMA905	○	√	○
	WSLB-880-012-H-T	12W	< 400um	P2	FC/SMA905	○	√	○
	WSLB-880-020-H-T	20W	< 400um	P2	FC/SMA905	○	√	○
	<b>WSLB-880-XXX-XXX</b>	<b>Customized</b>	<b>Customized</b>	<b>Customized</b>	<b>Customized</b>	○	○	○
915nm	WSLB-915-030-H-T	30W	< 300um	P2	FC/SMA905	○	√	○
	<b>WSLB-915-XXX-XXX</b>	<b>Customized</b>	<b>Customized</b>	<b>Customized</b>	<b>Customized</b>	○	○	○
940nm	WSLB-940-030-H-T	30W	< 300um	P2	FC/SMA905	○	√	○
	<b>WSLB-940-XXX-XXX</b>	<b>Customized</b>	<b>Customized</b>	<b>Customized</b>	<b>Customized</b>	○	○	○
980nm	WSLB-980-030-H-T	30W	< 300um	P2	FC/SMA905	○	√	○
	<b>WSLB-980-XXX-XXX</b>	<b>Customized</b>	<b>Customized</b>	<b>Customized</b>	<b>Customized</b>	○	○	○
1064nm	WSLB-1064-020-H-T	20W	< 300um	P2	FC/SMA905	○	√	○
	<b>WSLB-1064-XXX-XXX</b>	<b>Customized</b>	<b>Customized</b>	<b>Customized</b>	<b>Customized</b>	○	○	○
1210nm	WSLB-1210-003-H-T	3W	< 300um	P2	FC/SMA905	○	√	○
	<b>WSLB-1210-XXX-XXX</b>	<b>Customized</b>	<b>Customized</b>	<b>Customized</b>	<b>Customized</b>	○	○	○
1280nm	WSLB-1280-003-H-T	3W	< 300um	P2	FC/SMA905	○	√	○
	<b>WSLB-1280-XXX-XXX</b>	<b>Customized</b>	<b>Customized</b>	<b>Customized</b>	<b>Customized</b>	○	○	○
1310nm	WSLB-1310-003-H-T	3W	< 300um	P2	FC/SMA905	○	√	○
	<b>WSLB-1310-XXX-XXX</b>	<b>Customized</b>	<b>Customized</b>	<b>Customized</b>	<b>Customized</b>	○	○	○
1330nm	WSLB-1330-003-H-T	3W	< 300um	P2	FC/SMA905	○	√	○
	<b>WSLB-1330-XXX-XXX</b>	<b>Customized</b>	<b>Customized</b>	<b>Customized</b>	<b>Customized</b>	○	○	○
1450nm	WSLX-1450-007-H-T	7W	< 300um	P2	FC/SMA905	○	√	○
	WSLX-1450-010-H-T	10W	< 400um	P2	FC/SMA905	○	√	○
	WSLX-1450-012-H-T	12W	< 400um	P2	FC/SMA905	○	√	○
	WSLX-1450-015-H-T	15W	< 400um	P2	FC/SMA905	○	√	○
	<b>WSLX-1450-XXX-XX</b>	<b>Customized</b>	<b>Customized</b>	<b>Customized</b>	<b>Customized</b>	○	○	○
1470nm	WSLX-1470-007-H-T	7W	< 300um	P2	FC/SMA905	○	√	○
	WSLX-1470-010-H-T	10W	< 400um	P2	FC/SMA905	○	√	○
	WSLX-1470-012-H-T	12W	< 400um	P2	FC/SMA905	○	√	○
	WSLX-1470-015-H-T	15W	< 400um	P2	FC/SMA905	○	√	○
	<b>WSLX-1470-XXX-XX</b>	<b>Customized</b>	<b>Customized</b>	<b>Customized</b>	<b>Customized</b>	○	○	○
1490nm	WSLX-1490-006-H-T	6W	< 300um	P2	FC/SMA905	○	√	○
	<b>WSLX-1490-XXX-XX</b>	<b>Customized</b>	<b>Customized</b>	<b>Customized</b>	<b>Customized</b>	○	○	○
1530nm	WSLX-1530-007-H-T	7W	< 300um	P2	FC/SMA905	○	√	○
	WSLX-1530-010-H-T	10W	< 400um	P2	FC/SMA905	○	√	○
	WSLX-1530-012-H-T	12W	< 400um	P2	FC/SMA905	○	√	○
	WSLX-1530-015-H-T	15W	< 400um	P2	FC/SMA905	○	√	○
	<b>WSLX-1530-XXX-XX</b>	<b>Customized</b>	<b>Customized</b>	<b>Customized</b>	<b>Customized</b>	○	○	○

Note: √:Yes, ○:Optional, ×:No.

Wavelength	Part Number	Output Power	Fiber Core	Package	Connector	Aiming Beam	TEC	PD
1550nm	WSLX-1550-007-H-T	7W	< 300um	P2	FC/SMA905	○	√	○
	WSLX-1550-010-H-T	10W	< 400um	P2	FC/SMA905	○	√	○
	WSLX-1550-012-H-T	12W	< 400um	P2	FC/SMA905	○	√	○
	WSLX-1550-015-H-T	15W	< 400um	P2	FC/SMA905	○	√	○
	WSLX-1550-XXX-XX	Customized	Customized	Customized	Customized	○	○	○
1720nm	WSLB-1720-003-H-T	3W	< 300um	P2	FC/SMA905	○	√	○
	WSLB-1720-XXX-XXX	Customized	Customized	Customized	Customized	○	○	○
1900nm	WSLB-1900-002-H-T	2W	< 400um	P2	FC/SMA905	○	√	○
	WSLB-1900-XXX-XXX	Customized	Customized	Customized	Customized	○	○	○
1920nm	WSLB-1920-002-H-T	2W	< 400um	P2	FC/SMA905	○	√	○
	WSLB-1920-XXX-XXX	Customized	Customized	Customized	Customized	○	○	○

Note: √:Yes, ○:Optional, x:No.

P1 Packing View:



P2 Packing View:

