



WAVESPECTRUM GROUP was founded in 1999. It is comprised by a group of experienced and innovative experts in the fields of laser physics, materials science, electronic technology and mechanical design. It has established solid cooperation with some famous universities, research institutes and laboratories.

Wavespectrum products are widely used in space science, optical communication technology, laser display, laser medical, life sciences and materials processing. With the rapid development, R&D centers and production bases have been established in China and Europe. The current plant area is 4,000 square meters, including 2,000 square meters of Class 1,000 clean workshops.

Wavespectrum products include laser diodes, fiber-coupled laser modules and fiber-coupled laser systems with wavelengths from 405nm to 1920nm. Our products are used in medical, printing, laser display, life science, laser communication and other fields. At present, the products have all passed the certifications of ROHS, REACH, CE, etc. At the same time, we have got ISO90001 quality management system certification.

Wavespectrum has world-class R&D team, and it has the world first-class production processing plants. Our products can meet the military-grade production and design standards. The products are well acclaimed world-wide, such in Germany, Austria, the United States, Japan, South Korea and other parts of the world. We have established close cooperation with a number of well-known enterprises world-wide.

Wavespectrum offers laser products with wavelength ranges from 405nm to 1920nm.

405nm	445nm	465nm	488nm	505nm	515nm	520nm	525nm	635nm	650nm	660nm	670nm	680nm
685nm	760nm	785nm	790nm	808nm	830nm	850nm	860nm	880nm	905nm	915nm	940nm	980nm
1064nm	1210nm	1270nm	1280nm	1290nm	1310nm	1330nm	1350nm	1370nm	1390nm	1410nm	1430nm	1450nm
1470nm	1490nm	1510nm	1530nm	1550nm	1570nm	1590nm	1610nm	1625nm	1650nm	1720nm	1900nm	1920nm

CONTACT US

Wavespectrum Laser Group Limited

Address : 2-2-1504, 2# Haitai Innovation 6th Road, Xiqing Dist, 300392, TianJin, China

Web : www.wavespectrum-laser.com.cn Email : sales@wavespectrum-laser.com.cn

Tel : 86-022-87931118 Fax : 86-022-86392109

Distributors Wanted World-Wide!

PRODUCT CONTENTS

Single Mode Fiber
Coupled Laser Diode



Single Mode Laser Diode



Collimated Laser Diode



OEM Fiber Coupled Diode
Laser System



405nm High Power Fiber
Coupled Laser Source



Red & Green Aiming Beam
for Fiber Laser



Triplex (RGB) Fiber Coupled
White Laser System



3-channel (Multi-channel)
Fiber Coupled Laser System



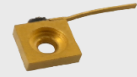
High Power Fiber
Bundled Laser Module



Multi-mode Fiber Coupled
Laser Module



Multi-mode Laser Diode



Turnkey Fiber Coupled
Diode Laser System



Fiber Receptacle Laser
Module



405nm Fiber Receptacle
Laser Module



Triplex (RGB) Fiber Coupled
White Laser Module



3-wavelength (Multi-
wavelength) Fiber Coupled
Laser System



Multi-wavelength Fiber
Coupled Laser Module



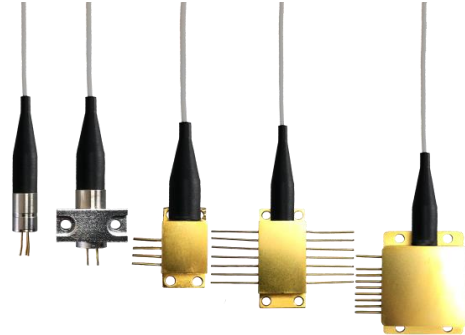
Photodiode



Multi-mode Fiber Coupled Laser Module

PRODUCT FEATURE

405nm~1920nm
 5mW~50W Output Power
 50um/ 105um/ 200um/ 400um Fiber Core
 Coaxial/ 2-PIN/ 4-PIN/ 14-PIN/ 9-PIN Package
 Built-in TE Cooler Optional
 Built-in Photodiode Optional
 Red/Green Aiming Beam Optional for IR LASER
 Long Lifetime
 High Stability
 Customized Wavelength
 Customized Output Power
 Customized Fiber Core



PRODUCT OVERVIEW

Multi-mode Fiber Coupled Laser Module is the competitive product of WAVESPECTRUM.

We offer High Coupling Efficient Solution for 405nm~1920nm Pigtailed Laser Module with 50um,105um,200um,400um Fiber Core, the output power ranges from 5mW to 50W. Meanwhile, the TE Cooler and Photodiode is optional for customers, the Green or Red Aiming Beam is also optional for IR Lasers. We can integrate these functions into the Laser Module as per customer's requirement. The standard package of the lasers can be Coaxial,2-PIN,4-PIN,14-PIN and 9-PIN.

WAVESPECTRUM also offer the Customized Solution for Pigtailed Laser Modules, such as Customized Wavelength, Customized Power, Customized Fiber Core and Customized Package to meet the special needs of customers.

WAVESPECTRUM use laser welding technology to guarantee the long-term reliability of the laser structure. To ensure the long-term reliability, each laser diode will undergo rigorous testing and aging in the factory. Meanwhile the high-low storage temperature circulation is also necessary for each laser diode. We set the storage temperature range from -40°C to +85°C, and it lasts 10 cycles, which will ensure the long-term reliability of the coupling structure.



Wavelength	Part Number	Output Power	Fiber Type	Fiber Core	Package	Connector	PD	TEC
405nm	WSLP-405-005m-M-PD	5mW	MMF	UV 50um	Coaxial	FC	√	×
	WSLP-405-200m-50M	200mW	MMF	UV 50um	Coaxial	FC	×	×
	WSLX-405-200m-50M-H-T	200mW	MMF	UV 50um	HHL-01	FC	○	√
	WSLX-405-200m-50M-H14-T-PD	200mW	MMF	UV 50um	14-Pin	FC	√	√
	WSP-405-200m-105M	200mW	MMF	UV 105um	Coaxial	FC	×	×
	WSLX-405-200m-105M-H-T	200mW	MMF	UV 105um	HHL-01	FC	○	√
	WSP-405-300m-50M	300mW	MMF	UV 50um	Coaxial	FC	×	×
	WSLX-405-300m-50M-H-T	300mW	MMF	UV 50um	HHL-01	FC	○	√
	WSP-405-300m-105M	300mW	MMF	UV 105um	Coaxial	FC	×	×
	WSLX-405-300m-105M-H-T	300mW	MMF	UV 105um	HHL-01	FC	○	√
	WSLX-405-300m-105M-H14-T-PD	300mW	MMF	UV 105um	14-Pin	FC	√	√
	WSP-405-350m-50M	350mW	MMF	UV 50um	Coaxial	FC	×	×
	WSLX-405-350m-50M-H-T	350mW	MMF	UV 50um	HHL-01	FC	○	√
	WSP-405-350m-105M	350mW	MMF	UV 105um	Coaxial	FC	×	×
	WSLX-405-350m-105M-H-T	350mW	MMF	UV 105um	HHL-01	FC	○	√
445nm	WSP-445-050m-M	50mW	MMF	UV 105um	Coaxial	FC	×	×
	WSLX-445-050m-M-H8-T	50mW	MMF	UV 105um	8-Pin	FC	○	√
	WSLX-445-050m-M-H8-T-PD	50mW	MMF	UV 105um	8-Pin	FC	√	√
	WSP-445-080m-M	80mW	MMF	UV 105um	Coaxial	FC	×	×
	WSLX-445-080m-M-H8-T	80mW	MMF	UV 105um	8-Pin	FC	○	√
	WSP-445-800m-M	800mW	MMF	UV 105um	Coaxial	FC	×	×
	WSLX-445-800m-M-H14-T-PD	800mW	MMF	UV 105um	14-Pin	FC	√	√
	WSP-445-001-M	1W	MMF	UV 105um	Coaxial	FC	×	×
	WSLX-445-001-M-H-T	1W	MMF	UV 105um	HHL-01	FC	○	√
	WSP-445-3500m-105M	3.5W	MMF	105um	Coaxial	FC	×	×
	WSP-445-3500m-200M	3.5W	MMF	200um	Coaxial	FC	×	×
	WSLX-445-3500m-105M-H9-T-PD	3.5W	MMF	105um	9-Pin	FC	√	√
	WSLX-445-3500m-200M-H9-T-PD	3.5W	MMF	200um	9-Pin	FC	√	√
	WSLX-445-010-200M-H	10W	MMF	200um	P4	FC	○	○
	WSLX-445-020-400M-H	20W	MMF	400um	P5	FC	○	○
465nm	WSP-465-002-M	2W	MMF	105um	Coaxial	FC	×	×
	WSLX-465-002-M-H9-T-PD	2W	MMF	105um	9-Pin	FC	√	√
	WSLX-465-007-200M-H	7W	MMF	200um	P4	FC	○	○
	WSLX-465-015-400M-H	15W	MMF	400um	P5	FC	○	○
488nm	WSP-488-030m-M	30mW	MMF	105um	Coaxial	FC	×	×
	WSLX-488-030m-M-H8-T	30mW	MMF	105um	8-Pin	FC	○	√
	WSLX-488-030m-M-H8-T-PD	30mW	MMF	105um	8-Pin	FC	√	√
	WSP-488-040m-M	40mW	MMF	105um	Coaxial	FC	×	×
	WSLX-488-040m-M-H8-T	40mW	MMF	105um	8-Pin	FC	○	√
505nm	WSP-505-020m-M-PD	20mW	MMF	105um	Coaxial	FC	√	×

Note: √:Yes, ○:Optional, ×:No.

Wavelength	Part Number	Output Power	Fiber Type	Fiber Core	Package	Connector	PD	TEC
505nm	WSLX-505-020m-M-H8-T-PD	20mW	MMF	105um	8-Pin	FC	√	√
	WSLP-505-030m-M	30mW	MMF	105um	Coaxial	FC	×	×
	WSLX-505-030m-M-H8-T	30mW	MMF	105um	8-Pin	FC	○	√
	WSLP-505-050m-M	50mW	MMF	105um	Coaxial	FC	×	×
	WSLX-505-050m-M-H8-T	50mW	MMF	105um	8-Pin	FC	○	√
520nm	WSLP-520-030m-M-PD	30mW	MMF	105um	Coaxial	FC	√	×
	WSLX-520-030m-M-H8-T-PD	30mW	MMF	105um	8-Pin	FC	√	√
	WSLP-520-050m-M-PD	50mW	MMF	105um	Coaxial	FC	√	×
	WSLX-520-050m-M-H8-T-PD	50mW	MMF	105um	8-Pin	FC	√	√
	WSLP-520-700m-50M	700mW	MMF	50um	Coaxial	FC	×	×
	WSLX-520-700m-50M-H9-T-PD	700mW	MMF	50um	9-Pin	FC	√	√
	WSLP-520-700m-105M	700mW	MMF	105um	Coaxial	FC	×	×
	WSLX-520-700m-105M-H9-T-PD	700mW	MMF	105um	9-Pin	FC	√	√
	WSLX-520-002-105M-H	2W	MMF	105um	P4	FC	○	○
	WSLX-520-005-400M-H	5W	MMF	400um	P5	FC	○	○
525nm	WSLP-525-700m-50M	700mW	MMF	50um	Coaxial	FC	×	×
	WSLX-525-700m-50M-H9-T-PD	700mW	MMF	50um	9-Pin	FC	√	√
	WSLP-525-700m-105M	700mW	MMF	105um	Coaxial	FC	×	×
	WSLX-525-700m-105M-H9-T-PD	700mW	MMF	105um	9-Pin	FC	√	√
	WSLX-525-002-200M-H	2W	MMF	200um	P4	FC	○	○
	WSLX-525-005-400M-H	5W	MMF	400um	P5	FC	○	○
635nm	WSLP-635-005m-M-PD	5mW	MMF	105um	Coaxial	FC	√	×
	WSLP-635-100m-M	100mw	MMF	105um	Coaxial	FC	×	×
	WSLX-635-100m-M-H8-T	100mW	MMF	105um	8-Pin	FC	○	√
	WSLX-635-100m-M-H8-T-PD	100mW	MMF	105um	8-Pin	FC	√	√
	WSLP-635-150m-M	150mW	MMF	105um	Coaxial	FC	×	×
	WSLX-635-150m-M-H8-T	150mW	MMF	105um	8-Pin	FC	○	√
	WSLP-635-200m-M	200mW	MMF	105um	Coaxial	FC	×	×
	WSLX-635-200m-M-H8-T	200mW	MMF	105um	8-Pin	FC	○	√
	WSLP-635-300m-M	300mW	MMF	105um	Coaxial	FC	×	×
	WSLX-635-300m-M-H8-T	300mW	MMF	105um	8-Pin	FC	○	√
	WSLX-635-400m-M-H4	400mW	MMF	105um	4-Pin	FC	○	×
	WSLX-635-400m-M-H14-T-PD	400mW	MMF	105um	14-Pin	FC	√	√
	WSLP-635-800m-50M	800mW	MMF	50um	Coaxial	FC	×	×
	WSLX-635-800m-50M-H9-T-PD	800mW	MMF	50um	9-Pin	FC	√	√
	WSLP-635-001-M	1W	MMF	105um	Coaxial	FC	×	×
	WSLX-635-001-M-H9-T-PD	1W	MMF	105um	9-Pin	FC	√	√
	WSLP-635-1800m-M	1.8W	MMF	200um	Coaxial	FC	×	×
	WSLX-635-1800m-M-H9-T-PD	1.8W	MMF	200um	9-Pin	FC	√	√
650nm	WSLP-650-030m-M-PD	30mW	MMF	105um	Coaxial	FC	√	×

Note: √:Yes, ○:Optional, ×:No.

Wavelength	Part Number	Output Power	Fiber Type	Fiber Core	Package	Connector	PD	TEC
650nm	WSLX-650-030m-M-H8-T-PD	30mW	MMF	105um	8-Pin	FC	√	√
	WSLP-650-050m-M-PD	50mW	MMF	105um	Coaxial	FC	√	×
	WSLX-650-050m-M-H8-T-PD	50mW	MMF	105um	8-Pin	FC	√	√
	WSLP-650-100m-M	100mW	MMF	105um	Coaxial	FC	×	×
	WSLX-650-100m-M-H8-T	100mW	MMF	105um	8-Pin	FC	○	√
	WSLX-650-100m-M-H8-T-PD	100mW	MMF	105um	8-Pin	FC	√	√
	WSLP-650-150m-M	150mW	MMF	105um	Coaxial	FC	×	×
	WSLX-650-150m-M-H8-T	150mW	MMF	105um	8-Pin	FC	○	√
	WSLX-650-800m-M-H4	800mw	MMF	105um	4-Pin	FC	○	×
	WSLX-650-800m-M-H9-T-PD	800mw	MMF	105um	9-Pin	FC	√	√
670nm	WSLP-670-005m-M-PD	5mW	MMF	105um	Coaxial	FC	√	×
	WSLX-670-005m-M-H8-T-PD	5mW	MMF	105um	8-Pin	FC	√	√
	WSLP-670-010m-M-PD	10mW	MMF	105um	Coaxial	FC	√	×
	WSLX-670-010m-M-H8-T-PD	10mW	MMF	105um	8-Pin	FC	√	√
680nm	WSLX-680-800m-M-H4	800mW	MMF	105um	4-Pin	FC	○	×
	WSLX-680-800m-M-H9-T-PD	800mW	MMF	105um	9-Pin	FC	√	√
685nm	WSLP-685-030m-M-PD	30mW	MMF	105um	Coaxial	FC	√	×
	WSLX-685-030m-M-H8-T-PD	30mW	MMF	105um	8-Pin	FC	√	√
760nm	WSLX-760-1500m-M-H2	1.5W	MMF	105um	2-Pin	FC	×	×
	WSLX-760-1500m-M-H14-T-PD	1.5W	MMF	105um	14-Pin	FC	√	√
785nm	WSLP-785-015m-M-PD	15mW	MMF	105um	Coaxial	FC	√	×
	WSLX-785-015m-M-H8-T-PD	15mW	MMF	105um	8-Pin	FC	√	√
	WSLP-785-050m-M-PD	50mW	MMF	105um	Coaxial	FC	√	×
	WSLX-785-050m-M-H8-T-PD	50mW	MMF	105um	8-Pin	FC	√	√
	WSLP-785-080m-M-PD	80mw	MMF	105um	Coaxial	FC	√	×
	WSLX-785-080m-M-H8-T-PD	80mW	MMF	105um	8-Pin	FC	√	√
	WSLP-785-100m-M-PD	100mw	MMF	105um	Coaxial	FC	√	×
	WSLX-785-100m-M-H8-T-PD	100mW	MMF	105um	8-Pin	FC	√	√
	WSLX-785-001-M-H14-T-PD	1W	MMF	105um	14-Pin	FC	√	√
	WSLX-785-003-M-H2	3W	MMF	105um	2-Pin	FC	×	×
WSLX-785-003-M-H9-T-PD	3W	MMF	105um	9-Pin	FC	√	√	
808nm	WSLP-808-150m-M-PD	150mW	MMF	62.5um	Coaxial	FC	√	×
	WSLX-808-150m-M-H8-T-PD	150mW	MMF	62.5um	8-Pin	FC	√	√
	WSLP-808-200m-M-PD	200mW	MMF	105um	Coaxial	FC	√	×
	WSLX-808-200m-M-H8-T-PD	200mW	MMF	105um	8-Pin	FC	√	√
	WSLP-808-700m-M	700mW	MMF	105um	Coaxial	FC	○	×
	WSLX-808-002-M-H14-T-PD	2W	MMF	105um	14-Pin	FC	√	√
	WSLX-808-2500m-M-H2	2.5W	MMF	105um	2-Pin	FC	×	×
	WSLX-808-004-M-H2	4W	MMF	105um	2-Pin	FC	×	×
	WSLX-808-004-M-H9-T-PD	4W	MMF	105um	9-Pin	FC	√	√

Note: √:Yes, ○:Optional, ×:No.

Wavelength	Part Number	Output Power	Fiber Type	Fiber Core	Package	Connector	PD	TEC
808nm	WSLX-808-005-M-H2	5W	MMF	105um	2-Pin	FC	×	×
	WSLX-808-008-M-H2	8W	MMF	105um	2-Pin	FC	×	×
	WSLX-808-008-M-H9-T-PD	8W	MMF	105um	9-Pin	FC	√	√
830nm	WSLP-830-120m-M-PD	120mW	MMF	105um	Coaxial	FC	√	×
	WSLX-830-120m-M-H8-T-PD	120mW	MMF	105um	8-Pin	FC	√	√
	WSLP-830-150m-M-PD	150mW	MMF	105um	Coaxial	FC	√	×
	WSLX-830-150m-M-H8-T-PD	150mW	MMF	105um	8-Pin	FC	√	√
	WSLP-830-700m-M	700mW	MMF	105um	Coaxial	FC	○	×
	WSLX-830-001-M-H2	1W	MMF	50um	2-Pin	FC	×	×
	WSLX-830-002-M-H4	2W	MMF	50um	4-Pin	FC	○	×
	WSLX-830-002-50M-H14-T-PD	2W	MMF	50um	14-Pin	FC	√	√
	WSLX-830-002-105M-H14-T-PD	2W	MMF	105um	14-Pin	FC	√	√
	WSLX-830-003-M-H2	3W	MMF	105um	2-Pin	FC	×	×
850nm	WSLP-850-050m-M-PD	50mW	MMF	105um	Coaxial	FC	√	×
	WSLX-850-050m-M-H8-T-PD	50mW	MMF	105um	8-Pin	FC	√	√
	WSLP-850-150m-M-PD	150mW	MMF	105um	Coaxial	FC	√	×
	WSLX-850-150m-M-H8-T-PD	150mW	MMF	105um	8-Pin	FC	√	√
	WSLP-850-200m-M-PD	200mW	MMF	105um	Coaxial	FC	√	×
	WSLX-850-200m-M-H8-T-PD	200mW	MMF	105um	8-Pin	FC	√	√
860nm	WSLP-860-700m-M	700mW	MMF	105um	Coaxial	FC	○	×
	WSLX-860-002-M-H4	2W	MMF	105um	4-Pin	FC	○	×
	WSLX-860-002-M-H14-T-PD	2W	MMF	105um	14-Pin	FC	√	√
880nm	WSLP-880-005m-M-PD	5mW	MMF	105um	Coaxial	FC	√	×
	WSLX-880-005m-M-H8-T-PD	5mW	MMF	105um	8-Pin	FC	√	√
	WSLX-880-002-M-H14-T-PD	2W	MMF	105um	14-Pin	FC	√	√
	WSLX-880-003-M-H2	3W	MMF	105um	2-Pin	FC	×	×
905nm	WSLP-905-050m-M-PD	50mW	MMF	105um	Coaxial	FC	√	×
	WSLX-905-050m-M-H8-T-PD	50mW	MMF	105um	8-Pin	FC	√	√
915nm	WSLX-915-010-M-H2	10W	MMF	105um	2-Pin	FC	×	×
	WSLX-915-012-M-H2	12W	MMF	105um	2-Pin	FC	×	×
940nm	WSLP-940-100m-M-PD	100mw	MMF	105um	Coaxial	FC	√	×
	WSLX-940-100m-M-H8-T-PD	100mW	MMF	105um	8-Pin	FC	√	√
	WSLP-940-150m-M-PD	150mW	MMF	105um	Coaxial	FC	√	×
	WSLX-940-150m-M-H8-T-PD	150mW	MMF	105um	8-Pin	FC	√	√
	WSLP-940-700m-M	700mW	MMF	105um	Coaxial	FC	○	×
	WSLX-940-002-M-H14-T-PD	2W	MMF	105um	14-Pin	FC	√	√
	WSLX-940-003-M-H2	3W	MMF	105um	2-Pin	FC	×	×
	WSLX-940-004-M-H9-T-PD	4W	MMF	105um	9-Pin	FC	√	√
	WSLX-940-010-M-H2	10W	MMF	105um	2-Pin	FC	×	×
	WSLX-940-012-M-H2	12W	MMF	105um	2-Pin	FC	×	×

Note: √:Yes, ○:Optional, ×:No.

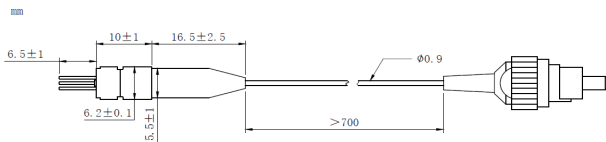
Wavelength	Part Number	Output Power	Fiber Type	Fiber Core	Package	Connector	PD	TEC
980nm	WSLP-980-030m-M-PD	30mw	MMF	105um	Coaxial	FC	√	×
	WSLP-980-100m-M-PD	100mw	MMF	105um	Coaxial	FC	√	×
	WSLX-980-100m-M-H8-T-PD	100mW	MMF	105um	8-Pin	FC	√	√
	WSLP-980-150m-M-PD	150mw	MMF	105um	Coaxial	FC	√	×
	WSLX-980-150m-M-H8-T-PD	150mW	MMF	105um	8-Pin	FC	√	√
	WSLP-980-700m-M	700mw	MMF	105um	Coaxial	FC	○	×
	WSLX-980-002-M-H14-T-PD	2W	MMF	105um	14-Pin	FC	√	√
	WSLX-980-003-M-H2	3W	MMF	105um	2-Pin	FC	×	×
	WSLX-980-004-M-H9-T-PD	4W	MMF	105um	9-Pin	FC	√	√
	WSLX-980-010-M-H2	10W	MMF	105um	2-Pin	FC	×	×
	WSLX-980-012-M-H2	12W	MMF	105um	2-Pin	FC	×	×
1064nm	WSLP-1064-030m-M-PD	30mW	MMF	105um	Coaxial	FC	√	×
	WSLX-1064-030m-M-H8-T-PD	30mW	MMF	105um	8-Pin	FC	√	√
	WSLP-1064-100m-M-PD	100mW	MMF	105um	Coaxial	FC	√	×
	WSLX-1064-100m-M-H-T-PD	100mW	MMF	105um	HHL-01	FC	√	√
	WSLX-1064-001-M-H14-T-PD	1W	MMF	105um	14-Pin	FC	√	√
	WSLX-1064-004-M-H2	4W	MMF	105um	2-Pin	FC	×	×
	WSLX-1064-004-M-H9-T-PD	4W	MMF	105um	9-Pin	FC	√	√
	WSLX-1064-007-M-H2	7W	MMF	105um	2-Pin	FC	×	×
1210nm	WSLX-1210-001-M-H14-T-PD	1W	MMF	105um	14-Pin	FC	√	√
	WSLX-1210-1200m-M-H2	1.2W	MMF	105um	2-Pin	FC	×	×
1280nm	WSLX-1280-001-M-H14-T-PD	1W	MMF	105um	14-Pin	FC	√	√
	WSLX-1280-1200m-M-H2	1.2W	MMF	105um	2-Pin	FC	×	×
1310nm	WSLX-1310-001-M-H14-T-PD	1W	MMF	105um	14-Pin	FC	√	√
	WSLX-1310-1200m-M-H2	1.2W	MMF	105um	2-Pin	FC	×	×
1330nm	WSLX-1330-001-M-H14-T-PD	1W	MMF	105um	14-Pin	FC	√	√
	WSLX-1330-1200m-M-H2	1.2W	MMF	105um	2-Pin	FC	×	×
1450nm	WSLX-1450-002-M-H2	2W	MMF	105um	2-Pin	FC	×	×
	WSLX-1450-002-M-H9-T-PD	2W	MMF	105um	9-Pin	FC	√	√
1470nm	WSLX-1470-800m-M-H14-T-PD	800mW	MMF	105um	14-Pin	FC	√	√
	WSLX-1470-001-M-H2	1W	MMF	105um	2-Pin	FC	×	×
	WSLX-1470-002-M-H9-T-PD	2W	MMF	105um	9-Pin	FC	√	√
	WSLX-1470-2500m-M-H2	2.5W	MMF	105um	2-Pin	FC	×	×
1490nm	WSLX-1490-1500m-M-H9-T-PD	1.5W	MMF	105um	9-Pin	FC	√	√
	WSLX-1490-002-M-H2	2W	MMF	105um	2-Pin	FC	×	×
1530nm	WSLX-1530-002-M-H2	2W	MMF	105um	2-Pin	FC	×	×
	WSLX-1530-002-M-H9-T-PD	2W	MMF	105um	9-Pin	FC	√	√
1550nm	WSLX-1550-002-M-H9-T-PD	2W	MMF	105um	9-Pin	FC	√	√
	WSLX-1550-2500m-M-H2	2.5W	MMF	105um	2-Pin	FC	×	×
1720nm	WSLX-1720-800m-M-H9-T-PD	800mW	MMF	105um	9-Pin	FC	√	√

Note: √:Yes, ○:Optional, ×:No.

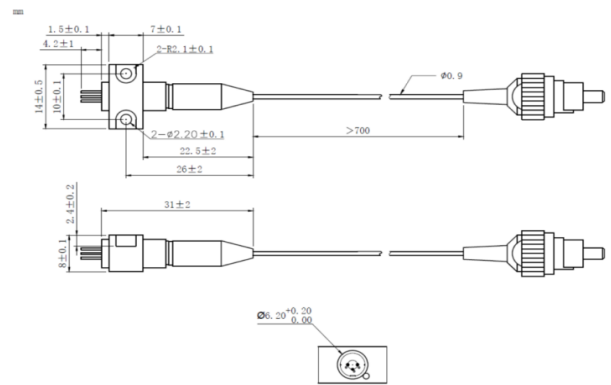
Wavelength	Part Number	Output Power	Fiber Type	Fiber Core	Package	Connector	PD	TEC
1720nm	WSLX-1720-001-M-H2	1W	MMF	105um	2-Pin	FC	×	×
1900nm	WSLX-1900-500m-M-H2	500mW	MMF	105um	2-Pin	FC	×	×
	WSLX-1900-500m-M-H9-T-PD	500mW	MMF	105um	9-Pin	FC	√	√
1920nm	WSLX-1920-500m-M-H2	500mW	MMF	105um	2-Pin	FC	×	×
	WSLX-1920-500m-M-H9-T-PD	500mW	MMF	105um	9-Pin	FC	√	√

Note: √:Yes, ○:Optional, ×:No.

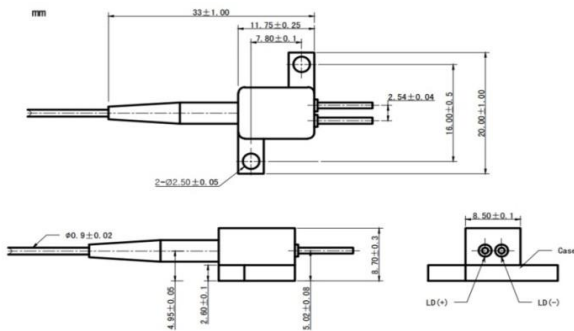
Coaxial Package View:



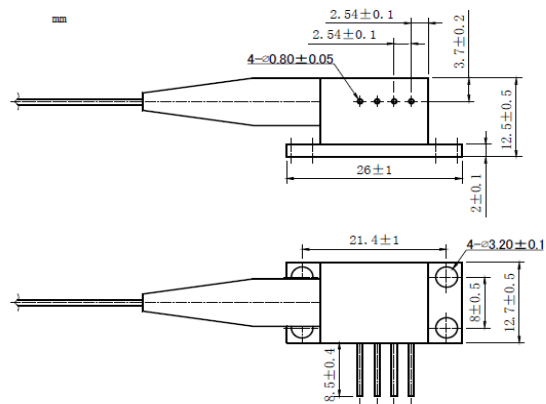
B8 Package View (with heat-sink) :



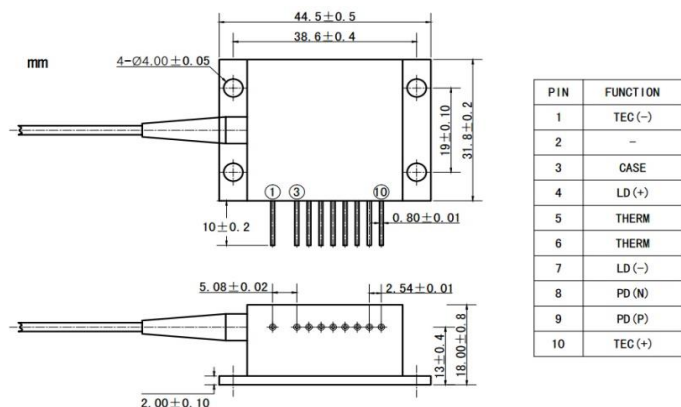
2-Pin Package View :



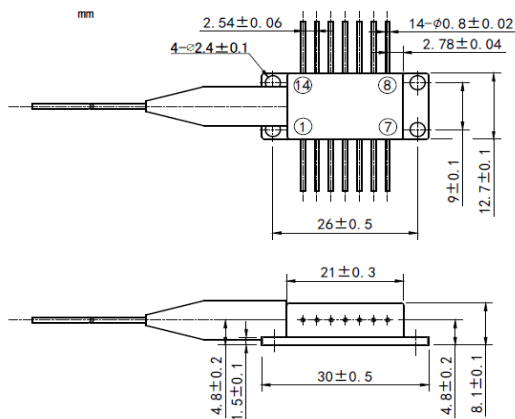
4-Pin Package View :



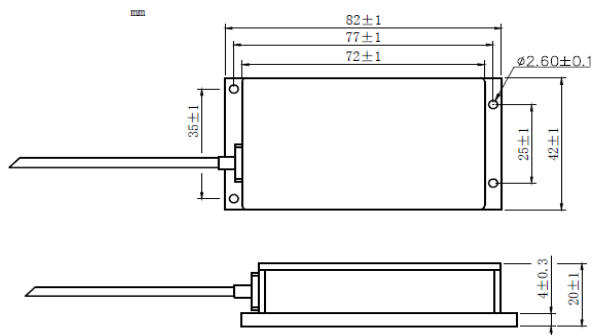
9-Pin Package View :



14-Pin Package View :



P4 Package View :



P5 Package View :

