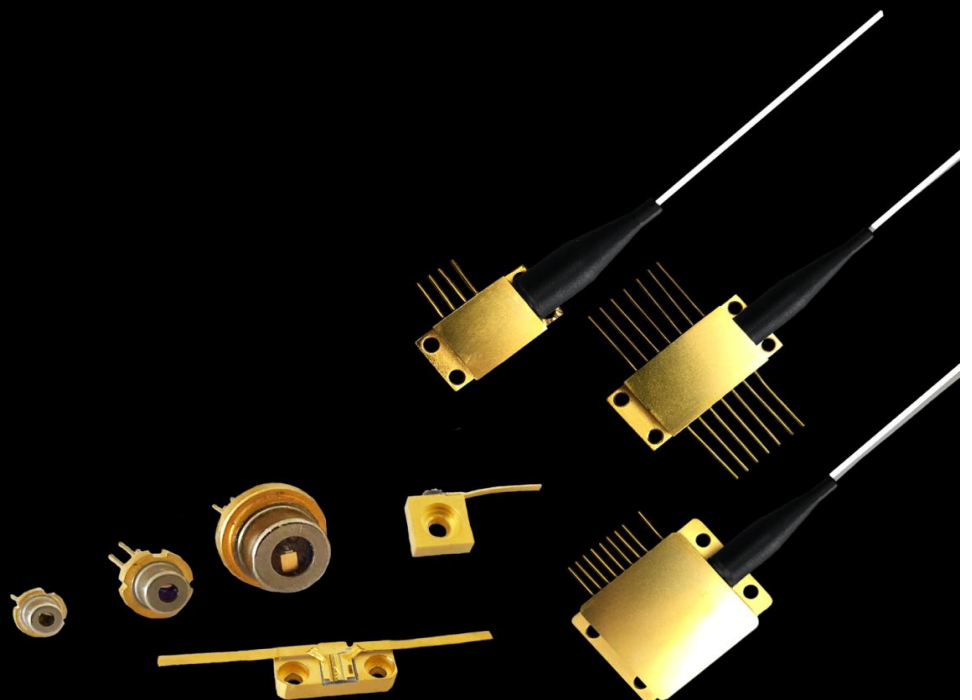


CATALOG

Single Mode Laser Diode





WAVESPECTRUM GROUP was founded in 1999. It is comprised by a group of experienced and innovative experts in the fields of laser physics, materials science, electronic technology and mechanical design. It has established solid cooperation with some famous universities, research institutes and laboratories.

Wavespectrum products are widely used in space science, optical communication technology, laser display, laser medical, life sciences and materials processing. With the rapid development, R&D centers and production bases have been established in China and Europe. The current plant area is 4,000 square meters, including 2,000 square meters of Class 1,000 clean workshops.

Wavespectrum products include laser diodes, fiber-coupled laser modules and fiber-coupled laser systems with wavelengths from 405nm to 1920nm. Our products are used in medical, printing, laser display, life science, laser communication and other fields. At present, the products have all passed the certifications of ROHS, REACH, CE, etc. At the same time, we have got ISO90001 quality management system certification.

Wavespectrum has world-class R&D team, and it has the world first-class production processing plants. Our products can meet the military-grade production and design standards. The products are well acclaimed world-wide, such in Germany, Austria, the United States, Japan, South Korea and other parts of the world. We have established close cooperation with a number of well-known enterprises world-wide.

Wavespectrum offers laser products with wavelength ranges from 405nm to 1920nm.

405nm	445nm	465nm	488nm	505nm	515nm	520nm	525nm	635nm	650nm	660nm	670nm	680nm
685nm	760nm	785nm	790nm	808nm	830nm	850nm	860nm	880nm	905nm	915nm	940nm	980nm
1064nm	1210nm	1270nm	1280nm	1290nm	1310nm	1330nm	1350nm	1370nm	1390nm	1410nm	1430nm	1450nm
1470nm	1490nm	1510nm	1530nm	1550nm	1570nm	1590nm	1610nm	1625nm	1650nm	1720nm	1900nm	1920nm

CONTACT US

Wavespectrum Laser Group Limited

Address : 2-2-1504, 2# Haitai Innovation 6th Road, Xiqing Dist, 300392, TianJin, China

Web : www.wavespectrum-laser.com.cn Email : sales@wavespectrum-laser.com.cn

Tel : 86-022-87931118 Fax : 86-022-86392109

Distributors Wanted World-Wide!

PRODUCT CONTENTS

Single Mode Fiber
Coupled Laser Diode



Single Mode Laser Diode



Collimated Laser Diode



OEM Fiber Coupled Diode
Laser System



405nm High Power Fiber
Coupled Laser Source



Red & Green Aiming Beam
for Fiber Laser



Triplex (RGB) Fiber Coupled
White Laser System



3-channel (Multi-channel)
Fiber Coupled Laser System



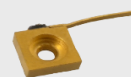
High Power Fiber
Bundled Laser Module



Multi-mode Fiber Coupled
Laser Module



Multi-mode Laser Diode



Turnkey Fiber Coupled
Diode Laser System



Fiber Receptacle Laser
Module



405nm Fiber Receptacle
Laser Module



Triplex (RGB) Fiber Coupled
White Laser Module



3-wavelength (Multi-
wavelength) Fiber Coupled
Laser System



Multi-wavelength Fiber
Coupled Laser Module



Photodiode



Single Mode Laser Diode

PRODUCT FEATURE

405nm~1650nm
 Single Mode Beam Output
 10mW~300mW Output Power
 TO38 / TO18 / TO5 Package
 Built-in Photodiodes Optional
 Long Lifetime
 High Stability



PRODUCT OVERVIEW

Single Mode Laser Diode is the competitive product of WAVESPECTRUM.

We offer the high quality Laser Diode with single mode beam, the wavelength range is from 405nm to 1650nm and the output power ranges from 5mW to 300mW. The photodiode is optional for customers. Now the standard package can be TO38, TO18 and TO5 Package.

WAVESPECTRUM adopt AuSn solder technology to package the laser diode. To ensure the long-term reliability, each laser diode will undergo rigorous testing and aging in factory. Meanwhile the high-low storage temperature circulation is also necessary for each laser diode. We set the storage temperature range from -40°C to +85°C, and it lasts 10 cycles, which will ensure the long-term stability of laser diode.



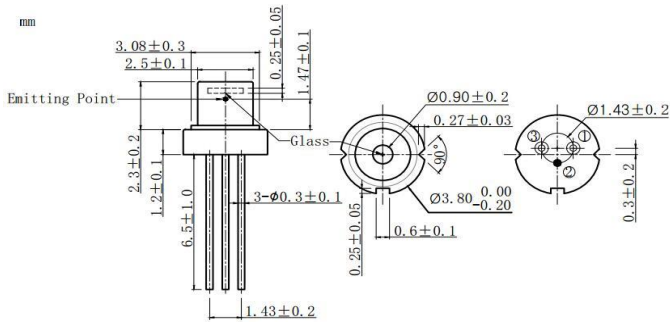
Wavelength	Part Number	Output Power	Mode Type	Laser Type	Package	PD	FAC
405nm	WSLD-405-010m-1-PD	10mW	SM	FP	TO18	√	×
	WSLD-405-150m-1(3.8mm)	150mW	SM	FP	TO38	×	×
	WSLD-405-150m-1(5.6mm)	150mW	SM	FP	TO18	×	×
	WSLD-405-200m-1	200mW	SM	FP	TO38	×	×
	WSLD-405-250m-1	250mW	SM	FP	TO18	×	×
	WSLD-405-300m-1(SM)	300mW	SM	FP	TO18	×	×
445nm	WSLD-445-050m-1	50mW	SM	FP	TO38	×	×
	WSLD-445-100m-1(3.8mm)	100mW	SM	FP	TO38	×	×
	WSLD-445-100m-1(5.6mm)	100mW	SM	FP	TO18	×	×
488nm	WSLD-488-050m-1	50mW	SM	FP	TO18	×	×
505nm	WSLD-505-030m-1-PD	30mW	SM	FP	TO18	√	×
	WSLD-505-050m-1	50mW	SM	FP	TO18	×	×
	WSLD-505-080m-1	80mW	SM	FP	TO18	×	×
520nm	WSLD-520-010m-1-PD	10mW	SM	FP	TO18	√	×
	WSLD-520-050m-1	50mW	SM	FP	TO38	×	×
	WSLD-520-050m-1-PD	50mW	SM	FP	TO18	√	×
	WSLD-520-080m-1	80mW	SM	FP	TO38	×	×
	WSLD-520-080m-1-PD	80mW	SM	FP	TO18	√	×
525nm	WSLD-525-080m-1-PD	80mW	SM	FP	TO18	√	×
635nm	WSLD-635-015m-1-PD	15mW	SM	FP	TO18	√	×
	WSLD-635-030m-1-PD	30mW	SM	FP	TO18	√	×
	WSLD-635-050m-1-PD	50mW	SM	FP	TO18	√	×
	WSLD-635-130m-1	130mW	SM	FP	TO38	×	×
	WSLD-635-180m-1	180mW	SM	FP	TO18	×	×
658nm	WSLD-650-050m-1-PD	50mW	SM	FP	TO18	√	×
	WSLD-650-100m-1	100mW	SM	FP	TO18	×	×
	WSLD-650-150m-1	150mW	SM	FP	TO18	×	×
	WSLD-650-180m-1	180mW	SM	FP	TO18	×	×
785nm	WSLD-785-100m-1-PD	100mW	SM	FP	TO18	√	×
	WSLD-785-100m-1-PD-R	100mW	SM	FP	TO18	√	×
	WSLD-785-120m-1-PD	120mW	SM	FP	TO18	√	×
808nm	WSLD-808-050m-2-PD	50mW	SM	FP	TO5	√	×
	WSLD-808-100m-2-PD	100mW	SM	FP	TO5	√	×
830nm	WSLD-830-050m-1-PD	50mW	SM	FP	TO18	√	×
	WSLD-830-100m-1-PD	100mW	SM	FP	TO18	√	×
	WSLD-830-150m-1-PD	150mW	SM	FP	TO18	√	×
	WSLD-830-200m-1-PD	200mW	SM	FP	TO18	√	×
	WSLD-830-250m-1-PD	250mW	SM	FP	TO18	√	×
850nm	WSLD-850-050m-1-PD	50mW	SM	FP	TO18	√	×
880nm	WSLD-880-010m-1-PD	10mW	SM	FP	TO18	√	×

Note: √:Yes, ○:Optional, ×:No.

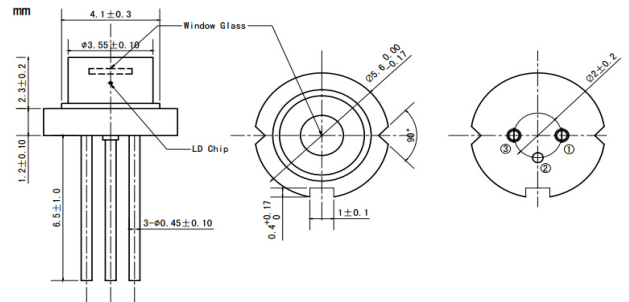
Wavelength	Part Number	Output Power	Mode Type	Laser Type	Package	PD	FAC
940nm	WSLD-940-200m-1-PD	200mW	SM	FP	TO18	√	×
980nm	WSLD-980-050m-1-PD	50mW	SM	FP	TO18	√	×
	WSLD-980-080m-1-PD	80mW	SM	FP	TO18	√	×
1064nm	WSLD-1064-050m-1-PD	50mW	SM	FP	TO18	√	×
	WSLD-1064-100m-2-PD	100mW	SM	FP	TO5	√	×
	WSLD-1064-150m-2-PD	150mW	SM	FP	TO5	√	×
	WSLD-1064-200m-2-PD	200mW	SM	FP	TO5	√	×
1310nm	WSLD-1310-020m-1-PD	20mW	SM	DFB	TO18	√	×
	WSLD-1310-020m-1-PD-F	20mW	SM	DFB	TO18	√	×
	WSLD-1310-030m-1-PD	30mW	SM	DFB	TO18	√	×
	WSLD-1310-030m-1-PD-F	30mW	SM	DFB	TO18	√	×
1550nm	WSLD-1550-015m-1-PD	15mW	SM	DFB	TO18	√	×
	WSLD-1550-015m-1-PD-F	15mW	SM	DFB	TO18	√	×
	WSLD-1550-020m-1-PD	20mW	SM	DFB	TO18	√	×
	WSLD-1550-020m-1-PD-F	20mW	SM	DFB	TO18	√	×

Note: √:Yes, ○:Optional, ×:No.

TO38 Package View :



TO18 Package View :



TO5 Package View :

