

## FC-D Series Laser for Raman Spectroscopy

### ◆ FC-D Series

#### Features:

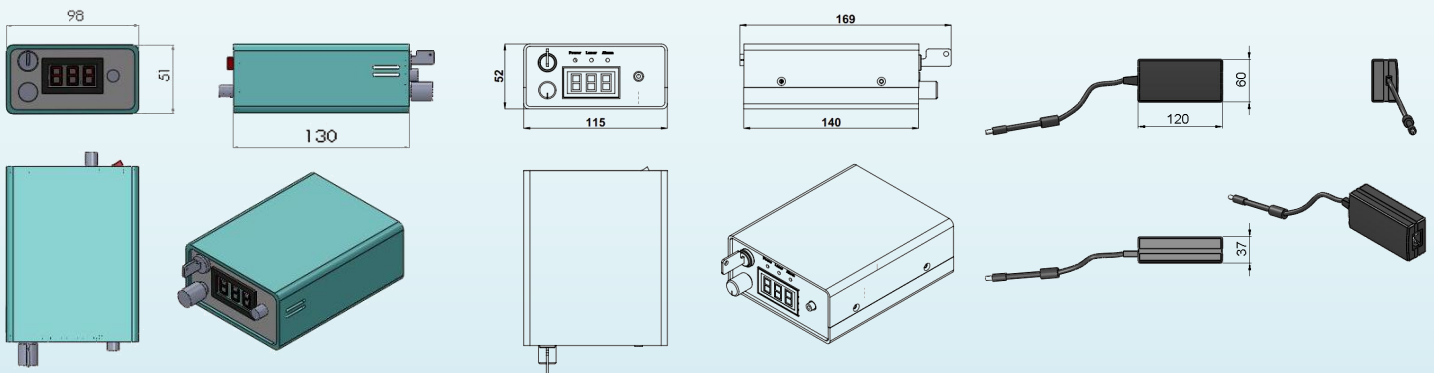
- Wavelengths are available from 375nm to 980nm
- Spectral linewidth is optional from 0.1nm, 0.06nm and 0.03nm
- Very compact package
- All in one laser system



### ◆ Parameters

Wavelength (nm)	Output power (mW)	Spectral Linewidth (nm)	Wavelength (nm)	Output power (mW)	Spectral Linewidth (nm)
375	1~10	0.03nm	690	1~450	0.03nm
405	1~100	0.03nm	730	1~450	0.03nm
445	1~200	0.03nm	785	1~450	0.06nm
514.5	1~30	0.03nm	808	1~450	0.03nm
633	1~100	0.03nm	830	1~100	0.03nm
639	1~200	0.03nm	852	1~450	0.03nm
660	1~200	0.03nm	980	1~450	0.03nm

### ◆ Dimensions



Laser for FC-D-785  
130(L)×98(W)×51(H)mm<sup>3</sup>,0.9kg

Other FC-D Series Laser  
169(L)×115(W)×52(H)mm<sup>3</sup>,1.0kg

Adaptor  
120(L)×60(W)×37(H)mm<sup>3</sup>,0.3kg