



F-11 PITAGONE

THE MODULAR ANTI-TRUCK-RAM BARRIERS

- VERY FAST ASSEMBLY AND INSTALLATION (15 MINUTES)
- ADAPTS TO ALL SURFACES AND TERRAINS (INCLUDING SIDEWALKS AND GRADIENTS)
- FULLY PORTABLE AND MOVABLE
- LONG SERVICE LIFE AND MINIMAL MAINTENANCE

THE MODULAR BARRIER - PITAGON F-11

This unique mobile barrier has been designed to protect crowds of ram vehicles during gatherings of people. It allows to stop a 7.5-ton truck travelling at 48 km/h. Its design has been patented and its effectiveness certified.

Made up of compact elements that are easy to store and transport, it takes only 15 minutes to assemble and install and does not require any special tools. It also has a long service life and requires minimal maintenance.

CHARACTERISTICS

Thanks to its quick and easy assembly, the PITAGONE F-11 modular barrier adapts to all surfaces and terrains (including sidewalks and other gradients).

It can be moved very quickly, in order to clear the way for priority vehicles (ambulances, fire trucks, etc.).

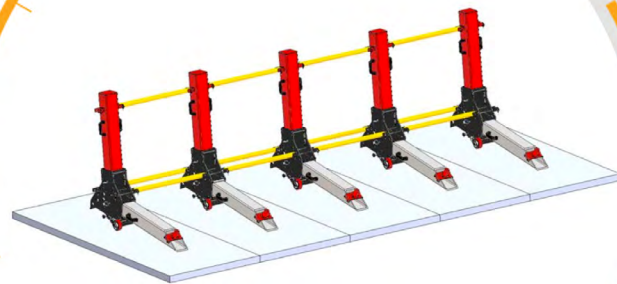


THE PITAGONE F-11 MOBILE MODULAR ANTI-ATTACK BARRIER IS UNIQUE. IT HAS BEEN DESIGNED TO PROTECT CROWDS OF RAM VEHICLES DURING GATHERINGS OF PEOPLE.





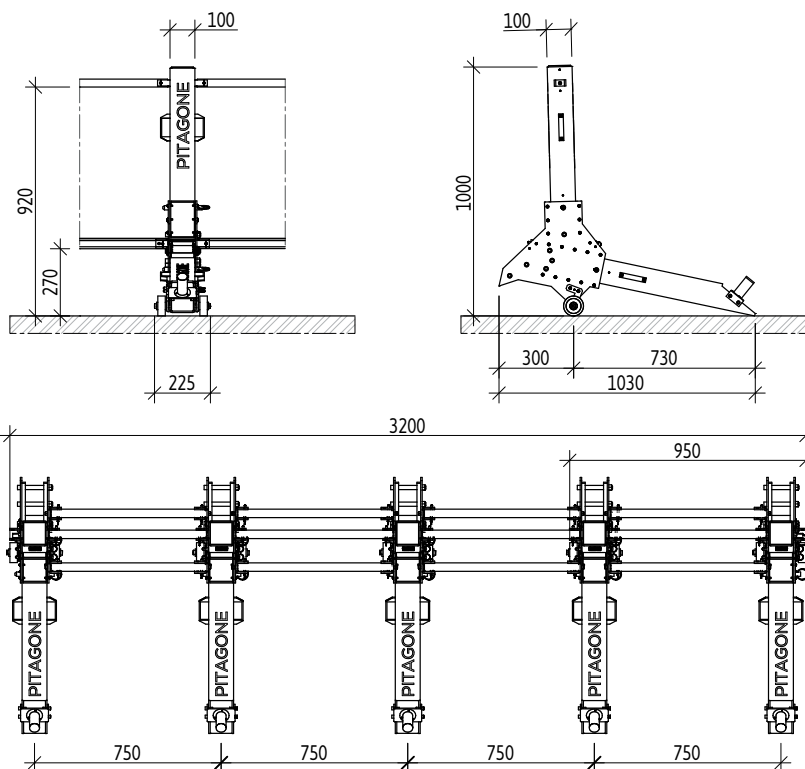
F-11 PITAGONE



TECHNICAL DETAILS

Steel profile	Thickness 6 mm
Assembling	Stainless steel quick release pin
Surface treatment	Powder coated red and grey
Handle	Black plastic
Wheels	With high molded polyurethane fillers
Certifications	PAS 68:2013 / IWA 14-1:2013

**MANAGE THE THREAT, SO THAT A
CRISIS SITUATION DOES NOT TURN
INTO CHAOS!**



**Patented
and Certified solution**



**Quick
and easy installation**



**Free passage
in a few seconds**

HTDS

Parc d'Activités du Moulin de Massy - 3 rue du Saule Trapu

BP246 - 91882 Massy Cedex France

Tel : +33 (0) 1 64 86 28 28 - Fax : +33 (0) 1 69 07 69 54 - info@htds.fr - www.htds.fr

HTDS Algeria : +213 232 384 01/02

HTDS Morocco : +212 222 749 59

HTDS Egypt : +202 229 053 06

HTDS Lybia : +218 91 69 50 70 8

HTDS Madagascar : +261 34 40 664 72

HTDS Tunisia : +216 70 836 961

