

Waters Reagent Manager

Pulse free, post column reagent delivery

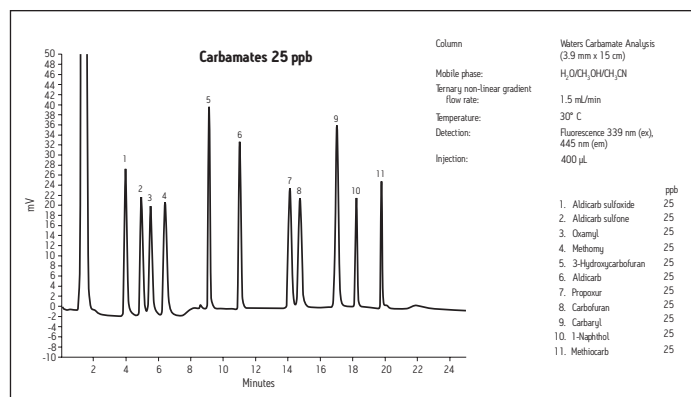
Waters® Reagent Manager is a single piston, pulse-dampened pumping system for post column reagent delivery designed to provide optimum performance, operational convenience, and safety. The Reagent Manager minimizes baseline noise using a built-in pulse damper with pressure transducer and is now RoHS compliant.

Ideal for multiple, post column applications, the Reagent Manager is a one-pump configuration; two units can be stacked for two-stage post column applications. It is included in Waters Carbamate Analysis System, a complete, modular HPLC system optimized for the analysis of carbamate pesticides. Other applications requiring two-stage post column reagent addition include glyphosate and paralytic shellfish toxins. Applications that require single-stage reagent addition include hexavalent chromium, transition metals, detergents, bromate, aflatoxins, biogenic amines, and carbohydrates. Waters Reagent Manager is also part of Waters Metabonomics MS system. Metabonomics is the science that identifies up- or down-regulated endogenous metabolites and biomarkers in various biofluids as a result of a disease state, toxicity, genetic modification, or environmental factors.

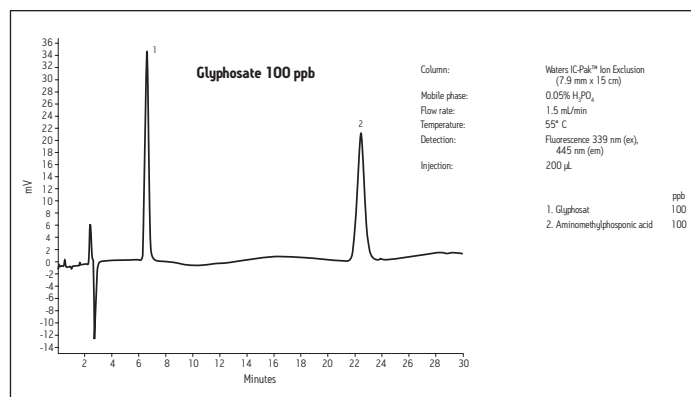
The Reagent Manager features an inert polymeric flow path, a self-flushing piston head, and front panel control with LED display and is now RoHS compliant. Automatic pump shutdown occurs at user-programmable high or low pressure limits. Remote stop/start inputs and stop output capabilities make Waters Reagent Manager easy to integrate into your HPLC system and also serve as a safety mechanism, which stops flow if either the HPLC pump or Reagent Manager shuts down. The Prime/Purge valve and Prime touch keypad on the front panel provide quick and easy solvent introduction and changeover.



Single piston design and an inert, polymeric flow path make Waters Reagent Manager compatible with a range of organic solvents, acids, and bases.

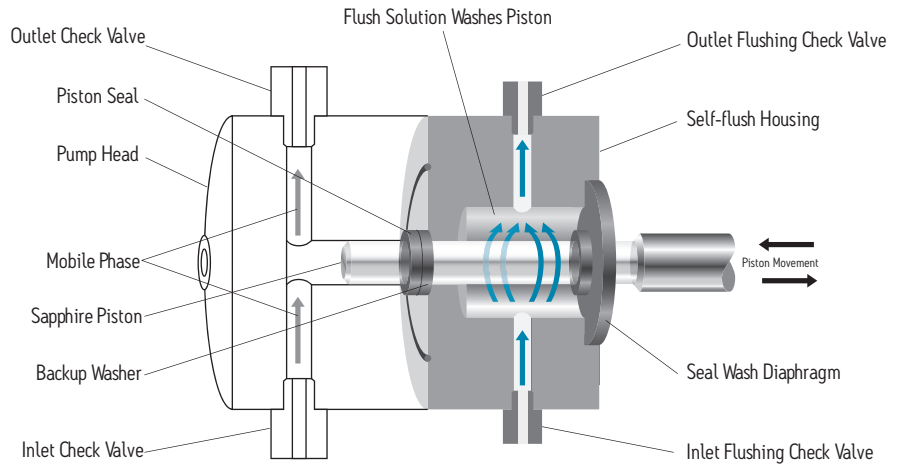


Using Waters Carbamate Analysis System, a smooth baseline and high sensitivity can be achieved for 11 N-methylcarbamate pesticide standards.

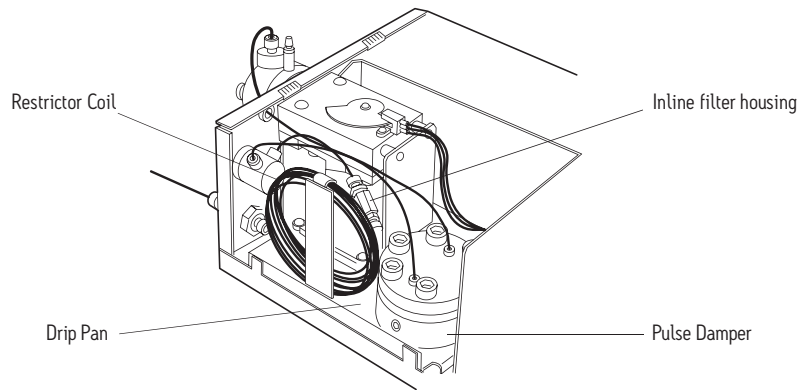


This analysis of glyphosate herbicide and its major metabolite, aminomethylphosphonic acid, demonstrates the versatility of Waters Carbamate Analysis System.

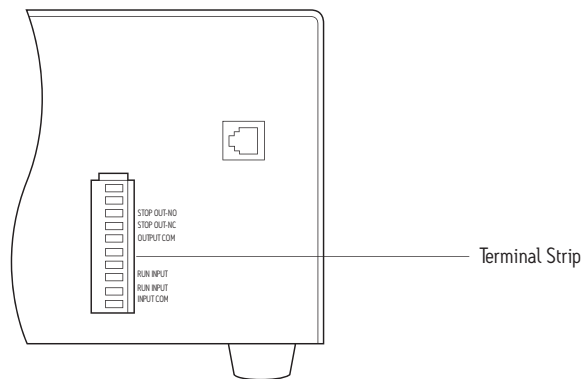
DESIGN FEATURES



The automatic piston wash improves reliability, extends seal life, and reduces maintenance.



Greater sensitivity and reduced baseline noise is achieved through the built-in pulse damper.



Safe, programmable, unattended operation is possible by means of remote start/stop inputs and a stop output.

[INSTRUMENT SPECIFICATIONS]

SPECIFICATIONS

Programmable flow rate range	0.05 to 2.0 mL/min, in 0.01 mL/min increments	
Maximum operating pressure	2,500 psi	
Flow accuracy	± 2.0% or ± 30.0 µL/min, whichever is greater, at 1.0 mL/min, degassed methanol, 800 to 1000 psi backpressure	
Flow precision	± 0.5% RSD, six replicates, based on volumetric measures, at 0.5 mL/min, degassed methanol, 800 psi backpressure	
Pressure ripple	≤ 2.5% at 0.5 mL/min, degassed methanol, 800 psi backpressure	
Dimensions	Width	22.9 cm (9.0 in.)
	Depth	43.5 cm (17.1 in.)
	Height	16.2 cm (6.4 in.)
Weight	10 kg (22 lbs.)	
Operational voltages	110 to 220 V at 50/60 Hz 220 to 240 V at 50/60 Hz 90 to 110 V at 50/60 Hz (Japan)	
Wetted materials	Sapphire, ruby, PEEK, PTFE, FEP, UHMWPE, Tefzel, polyethylene	
Environmental information	This product complies with the European Union RoHS Directive 2002/95/EC	

ORDERING INFORMATION

PART NUMBER

Reagent Manager Pump	725000556
IQ/OQ/PQ Protocols	71550010511

Waters

THE SCIENCE OF WHAT'S POSSIBLE.™

Waters is a registered trademark of Waters Corporation. The Science of What's Possible is a trademark of Waters Corporation. All other trademarks are the property of their respective owners.

©2010 Waters Corporation. Produced in the U.S.A.
February 2010 720003297EN LB-PDF

Waters Corporation
34 Maple Street
Milford, MA 01757 U.S.A.
T: 1 508 478 2000
F: 1 508 872 1990
www.waters.com

